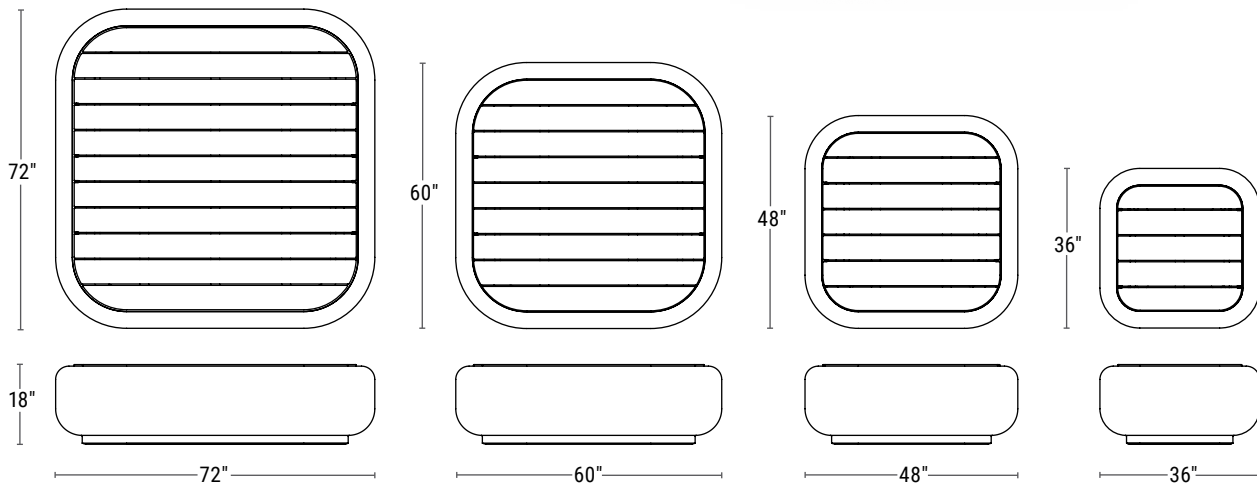


## Montara Platforms

- Lightweight commercial-grade GFRC and thermally modified wood
- Stainless steel anchor plates
- Four sizes from 36" x 36" to 72" x 72"
- Coordinate with Montara water features, benches, and planters
- GFRC base available in Acid Etch, Sandblast, or Travertine texture.



PRODUCT	DESCRIPTION	LENGTH	WIDTH	HEIGHT	WEIGHT (LBS.)
MAB-3600	Montara Platform	36" L	36" W	18" H	310
MAB-4800	Montara Platform	48" L	48" W	18" H	465
MAB-6000	Montara Platform	60" L	60" W	18" H	626
MAB-7200	Montara Platform	72" L	72" W	18" H	835

