

### PROJECT INFORMATION

PROJECT NAME

ORDER NUMBER

APPROVAL

DATE

SIGNATURE AUTHORIZES TOURNESOL SITEWORKS TO MANUFACTURE THE PRODUCT AS SHOWN

### BENCH INFORMATION

QUANTITY

WOOD SPECIES

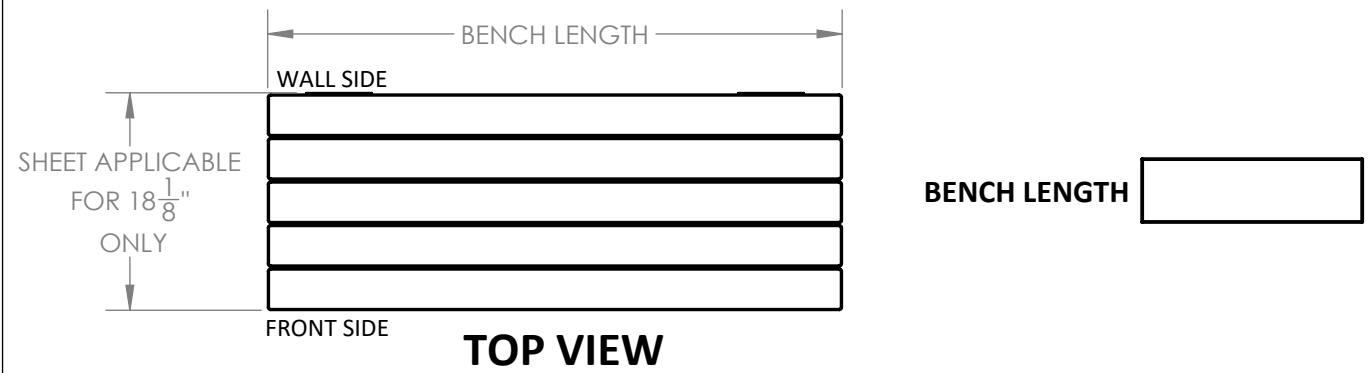
POWDERCOAT COLOR (STANDARD IS BLACK)

CATALOG BENCH PART NUMBER

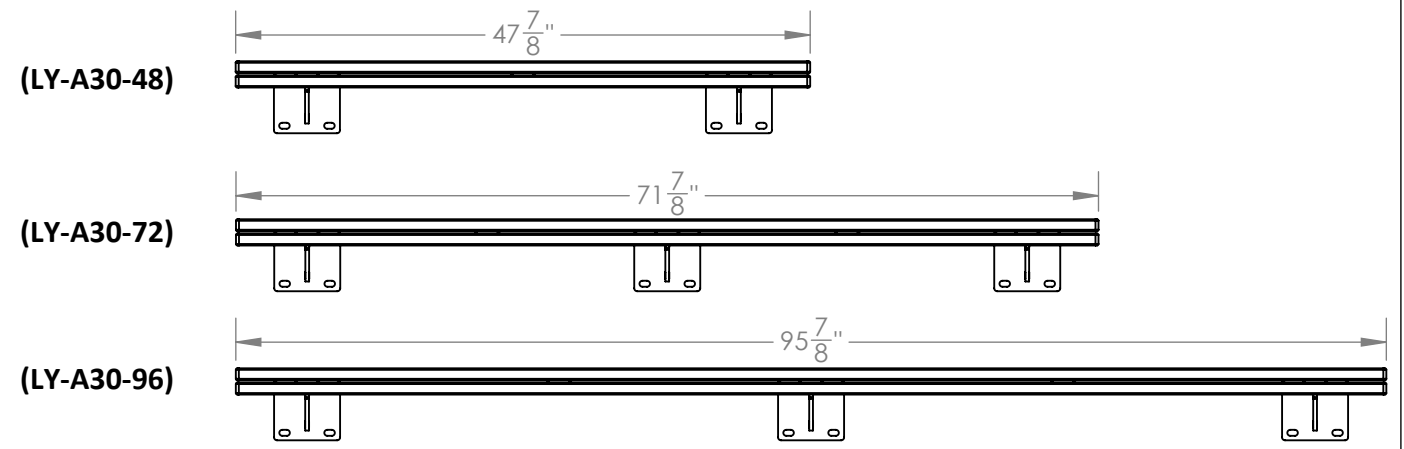
### PLEASE COMPLETE FOR EACH UNIQUE BENCH

FILL IN DIMENSION BLANKS AS APPLICABLE  
STANDARD ANGLE IS 90°

BENCH LENGTH	# OF BRACKETS
24"-60"	2
>60"-96"	3



### STANDARD SIZE OPTIONS



### MOUNTING OPTIONS

- TOURNESOL GFRC PLANTER**  
(PLANTER: 30"H x 30"W MIN)  
REQUIRES BACKER PLATE KIT (LY-RE-G)
- CIP WALL**  
(OR OTHER STRUCTURALLY SOUND SURFACE)  
ANCHORS PROVIDED BY OTHERS
- TOURNESOL METAL PLANTER**  
(PLANTER: 30"H x 30"W MIN)  
REQUIRES INTERNAL SUPPORT BRACKET (LY-RE-ST)
- TOURNESOL KITSAP WALL**  
(ANCHORING TO CONCRETE SLAB REQUIRED)

### CORNER CONDITIONS

SELECT ONE, STANDARD ANGLE IS 45°

ANGLE

**INSIDE CORNER (RH)**

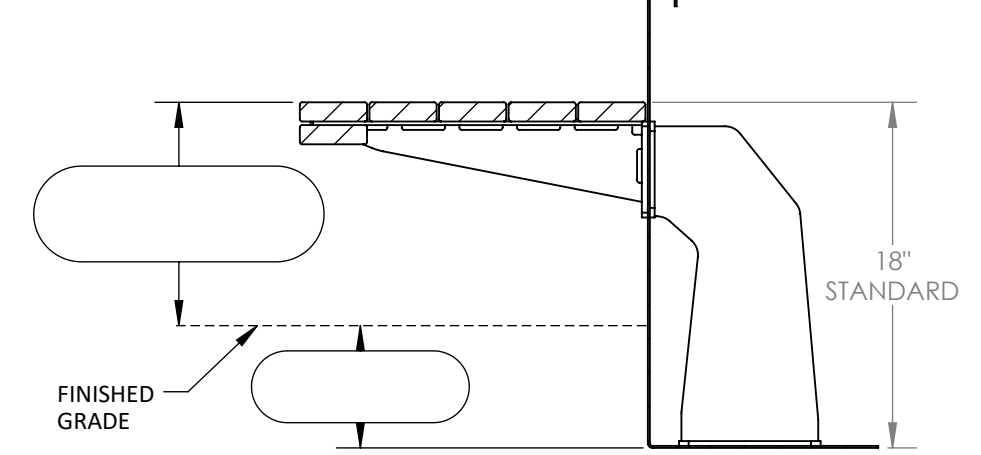
**INSIDE CORNER (LH)**

**OUTSIDE CORNER (RH)**

**OUTSIDE CORNER (LH)**

### METAL PLANTER MOUNTING HEIGHT

STANDARD MOUNTING HEIGHT IS 18"  
PLEASE ENTER DIMENSIONS IF PLANTER SITS BELOW FINISHED GRADE



**Tournesol SITEWORKS**  
2930 FABER STREET, UNION CITY, CA 94587

TITLE: APPLICATION SHEET WALLY BENCH (TYPE A)

PROPRIETARY & CONFIDENTIAL PROPERTY OF TOURNESOL SITEWORKS, LLC.

DRAWN BY: ESMITH DATE: 11/15/2023  
APPROVED BY: DATE:

SIZE B DWG NO: LY-A30-APP REV

SCALE 1:30 MATERIAL: A36 MILD STEEL/ WOOD SHEET 1 OF 1

ALL DIMENSIONS IN INCHES