

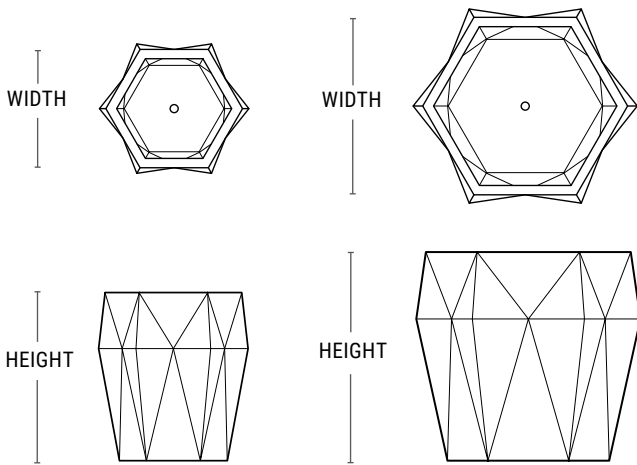


## Harlie Collection

The prismatic form of this planter, by Australian designer Luxxbox, is both a faceted gemstone and articulated artifact. With a playful reference to the geometry of the daring “Harlequin” in costume, Harlie holds court with a killer design edge.

## Harlie Collection, GFRC

- Lightweight GFRC concrete planters; durable despite low weight
- Coordinates with our self-watering container irrigation products
- Three geometric sizes from 19" to 28.5"
- Drain holes standard, no drain holes upon request

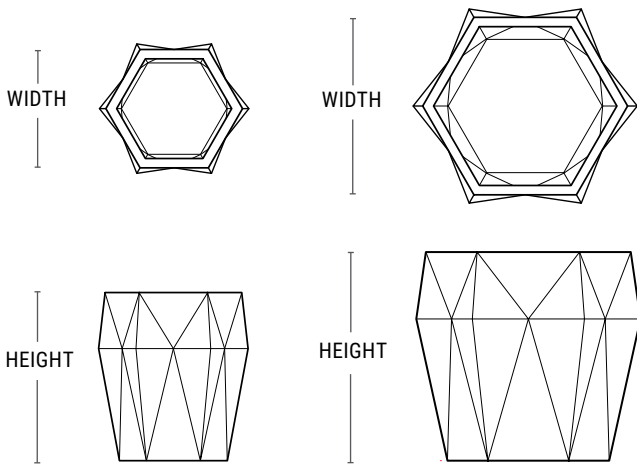


PRODUCT	SHAPE	LENGTH	WIDTH	HEIGHT	WEIGHT (LBS.)	VOLUME (CUBIC FT.)	INTERIOR TOP	INTERIOR BOTTOM	IRRIGATION
HCS-2400	Geometric	19"	19"	27"	200	3.2	16" x 16"	13.5" x 13.5"	CWC-1300
HCS-3000	Geometric	23.75"	23.75"	31"	300	6.7	20.75" x 20.75"	17.75" x 17.75"	CWC-1800
HCS-3600	Geometric	28.5"	28.5"	33.5"	400	11	25.5" x 25.5"	20.5" x 20.5"	CWC-2100



## Harlie Collection, FRP

- Lightweight FRP fiberglass planters; durable despite low weight
- Coordinates with our self-watering container irrigation products
- Three geometric sizes from 19" to 28.5"
- Drain holes upon request



PRODUCT	SHAPE	LENGTH	WIDTH	HEIGHT	WEIGHT (LBS.)	VOLUME (CUBIC FT.)	INTERIOR TOP	INTERIOR BOTTOM	IRRIGATION
HS-2400	Geometric	19"	19"	27"	21	4.5	16" x 16"	13.75" x 13.75"	CWC-1300
HS-3000	Geometric	23.75"	23.75"	31"	32	8.4	20" x 14"	20" x 13"	CWC-1800
HS-3600	Geometric	28.5"	28.5"	33.5"	42	13	21" x 21"	19" x 19"	CWC-2100

