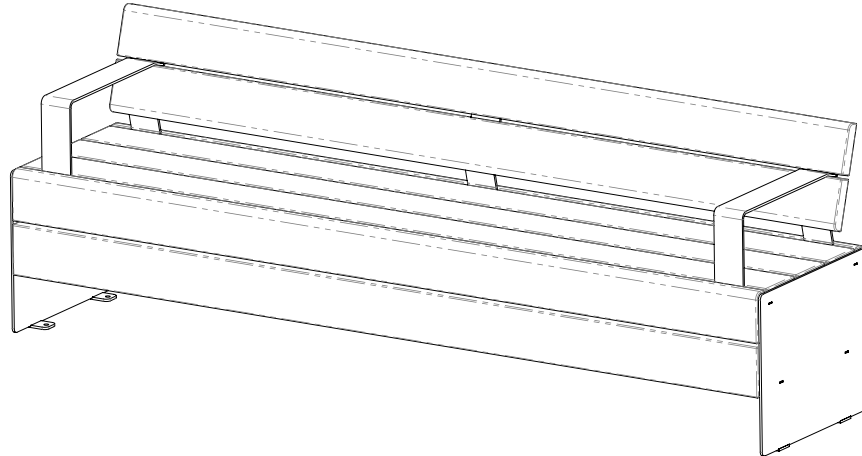


**CAMINO BENCHES**  
Installation / Assembly Instructions



To find information about caring for Tournesol products visit: [Tournesol.com/care](https://Tournesol.com/care)

**INCLUDED**

Camino Bench	1 pc.
Inhibitor(s) (optional)	1 - 2 pcs.
Backrest w/o Arms (optional)	1 pc.
Backrest w/Arms (optional)	1 pc.
5/16" Stainless Fasteners (for optional components)	

**NEEDED FOR ANCHORING** *Not included*

3/8" Non-Corrosive Anchor Hardware (type of anchor dependent upon site...consult with your project manager)

**TOOLS** *Not included*

- 1/4" hex drive wrench (attachment of backs)
- 9/16" hex socket and/or open/box wrench
- Clamps (non-marring)
- Marker

**⚠ Benches may come fully assembled (backrest or inhibitor attached). If so, then follow only Steps 1-5 in these instructions.**

Units should be moved in their shipping packaging to a location in close proximity to their final installed location. Carefully remove the packaging materials and inspect the units for any damage that may have occurred during shipping. If damage has occurred, immediately report this to the shipping carrier at the time of delivery.

**⚠ Benches and backs are heavy, team lift recommended.**

# CAMINO BENCHES Installation / Assembly Instructions



## STEP 1 – Dry Fit

Perform a dry fit of bench placement and positioning before anchoring, or connecting adjoining benches, and verify product placement matches the site layout.

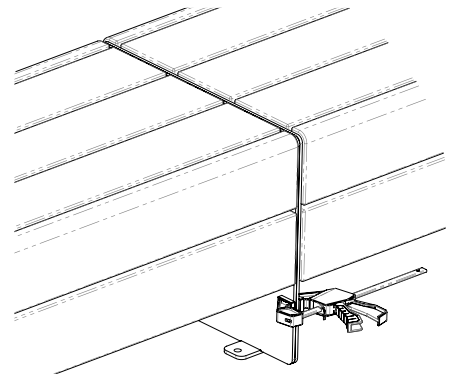
*⚠ Where the surface that benches rest upon is uneven and requires shims, place shims to level the bench and align with adjacent units (on multi-unit layouts) and prior to clamping units together.*

*⚠ When dry-fitting multiple-unit layouts, use non-marring clamps to hold adjacent benches together and in alignment.*

## STEP 2 – Mark Anchor Points

With the bench(es) in the proper placement, mark the anchor locations of each bench.

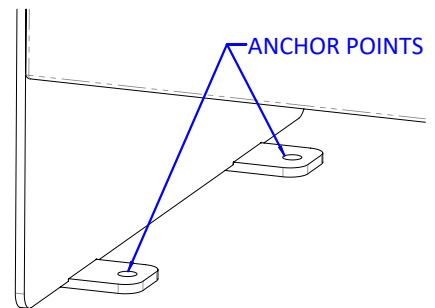
*⚠ Where shims were required, do not allow them to impede the marking of anchor locations.*



## STEP 3 – Surface Anchors

Whether stand-alone or a multi-unit layout, move bench(es) away from marked locations. Drill holes for anchoring hardware, and install any anchor bases into anchoring substrate per contractor's instructions.

*⚠ Tip: When dealing with groups of benches, it may be best to move only one or two benches at a time to drill for anchors.*



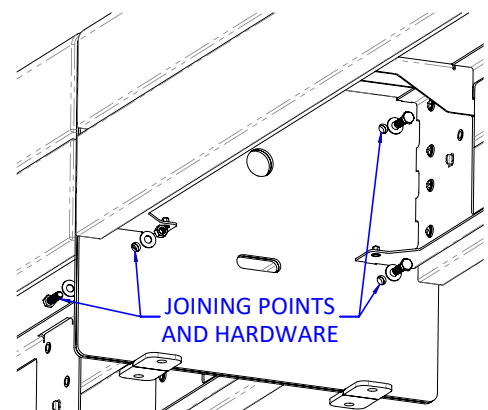
## STEP 4 – Bench Anchoring

Move bench(es) back into position and loosely bolt adjoining benches with provided hardware. Do not fully tighten bolts until alignment is complete.

*⚠ If shims were necessary to level or align a bench or benches (at dry fit) replace those. Do not allow the shims to impede the anchor installation and they should remain secure once the benches are anchored.*

## STEP 5 - Secure

Tighten bolts connecting products together, then anchor in place per contractor's instructions.



## CAMINO BENCHES

### Installation / Assembly Instructions

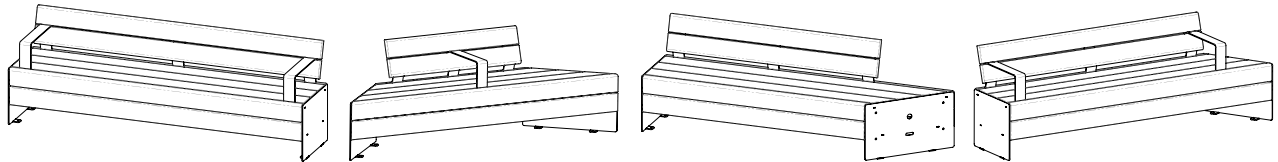


Each bench is configurable to include options such as inhibitors, a backrest, or a backrest with arms. Check the site plan and layout to determine the location and type of each option. Inhibitors only have one way to install while backrests (with or without arms) typically have multiple mounting locations or orientations.

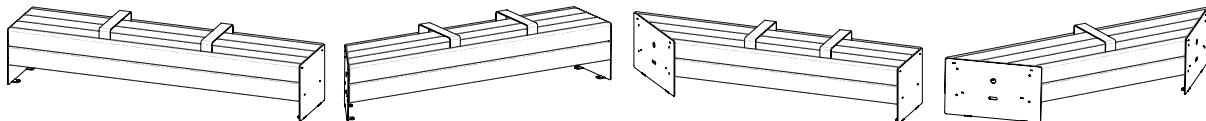
#### BACKREST OR INHIBITOR INSTALLATION *(for benches that did not come fully assembled)*

##### STEP 6 – Identify Accessory and Placement

Backrests (with or without arms) can be mounted onto either side (along length) of most benches while there are some exceptions.

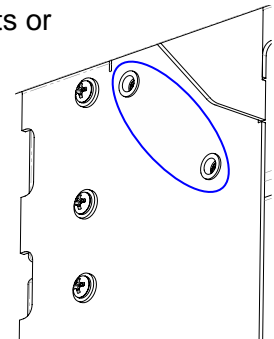


Inhibitor(s) are mounted in specific locations based on the shape of the bench.



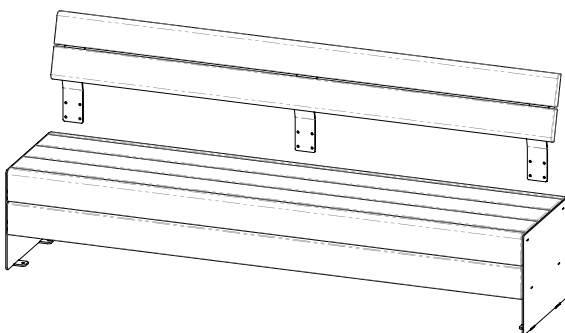
Prior to installing onto the bench, inspect the underside where the backrest brackets or inhibitors will be located to identify the hole pattern for the mounting hardware.

Note: Each of the brackets/inhibitors will have a four-hole pattern to allow placement without regards to orientation (backs can be placed on either of the long sides of the bench). Only two of the four holes will be used. Knowing which of these holes will be used for mounting hardware in each position will allow easier installation of hardware. Make note of where the diagonal mounting points are located for each bracket position.

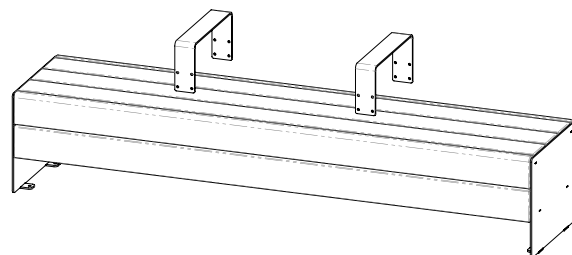


##### STEP 7 – Insert Accessory

Backrest without arms will insert into slots along one side while backs with arms and inhibitors will insert into slots on both sides of the bench. Once inserted into the slots, the brackets will only insert to a point and stop.



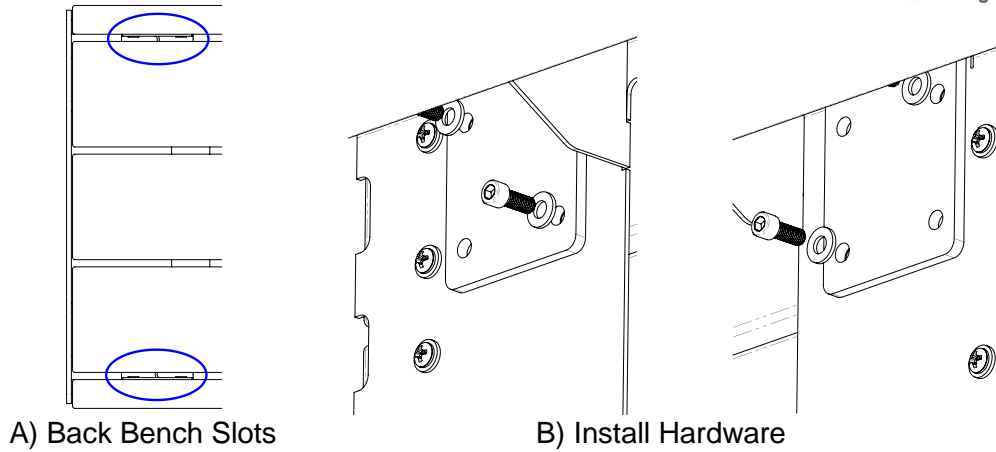
A) Backrest with or without arms



B) Inhibitors

**⚠ Benches and backs are heavy, team lift recommended.**

**CAMINO BENCHES**  
**Installation / Assembly Instructions**



**STEP 8 – Accessory Anchoring**

Insert the combination of a washer and screw into the appropriate bracket hole (noted from Step 1) and thread into place. Some manipulation of the back may be required to align the bracket holes with the threaded nut in the bench. Hand-tighten hardware until all are in place. Using a 1/4" hex driver, tighten all hardware.

**⚠ If your benches require lighting, please refer to the Camino Bench Lighting Installation Instructions.**