



Bollards

Pedestrian & Traffic Bollards are sturdy, vertical posts designed to enhance safety by providing protective barriers and visual markers. They help control traffic and protect vehicles and pedestrians in various settings, including streets, sidewalks, trails, parking lots, and boardwalks. Tournesol offers a wide range of customizable bollards with various mounting options,

collars, and decorative details. Our selection includes both permanent and removable bollards. Removable traffic bollards serve as a visual deterrent while allowing easy removal for emergency or service access. Share your project needs with us, and we'll help you identify and customize the right bollards for your application.

Bollards

Tournesol's wide variety of decorative bollards and barriers includes both removable and permanent mountings. Removable bollards offer a visual deterrent and are easily removed for emergency or service access.



B-1



B-2



B-3



B-4



B-8

B Series Bollards

DIAMETER

B-1 and B-2 are available in 4", 6", or 8" Dia. B-4 is available in 6" or 8" Dia. B-3 and B-8 are available in 6" Dia.

HEIGHT

B Series are available in 30", 36", 42", and 48"H.

THICKNESS

B Series bollards are manufactured from schedules 10, 40, or 80 pipe for increased strength.

MOUNTING

All B Series bollards are available for embedded, surface, or removable mounting.

DESIGN DETAILS

Collar options are available for B-1. Reveal options are available for B-4.

Simple Bollards

These fully welded, hot-dip galvanized bollards are 30" high and available in 3" or 5" diameter schedule 40 pipe.

Simple bollards are available for embedded or removable mounting. A variety of handle options, eyebolts, and padlocks available.



Bollards Collection

B-1 Bollards

Our B-1 bollards feature steel construction with three collars and a fully welded top.

- B-1 Bollards, 4"
- B-1 Bollards, 6"
- B-1 Bollards, 8"
- B-2 Bollards, 4" Dome-top

B-2 Bollards

Our B-2 bollards feature a fully welded flat or dome top with a powder-coated finish.

- B-2 Bollards, 6" Dome-top
- B-2 Bollards, 8" Dome-top
- B-2 Bollards, 4" Flat-top
- B-2 Bollards, 6" Flat-top
- B-2 Bollards, 8" Flat-top
- B-3 Bollards, 6"
- B-4 Bollards, 6" Flat-top
- B-4 Bollards, 8" Flat-top

B-3 Bollards

Our B-3 decorative steel bollards feature a fully welded, cast steel spherical top and lower collar.

- B-4 Bollards, 6" Dome-top
- B-4 Bollards, 8" Dome-top

B-4 Bollards

Our B-4 bollards feature two decorative reveals and a fully welded flat, dome, or sphere top.

- B-4 Bollards, 6" Sphere-top
- B-4 Bollards, 8" Sphere-top
- B-8 Bollards, 6" Square Reveals
- B-8 Bollards, 6" Round Reveals
- Simple Pedestrian Bollards 3" or 5"

B-8 Bollards

Our B-8, 6" diameter bollards feature straight, clean lines with square or round reveals, top and bottom.

Simple Bollards

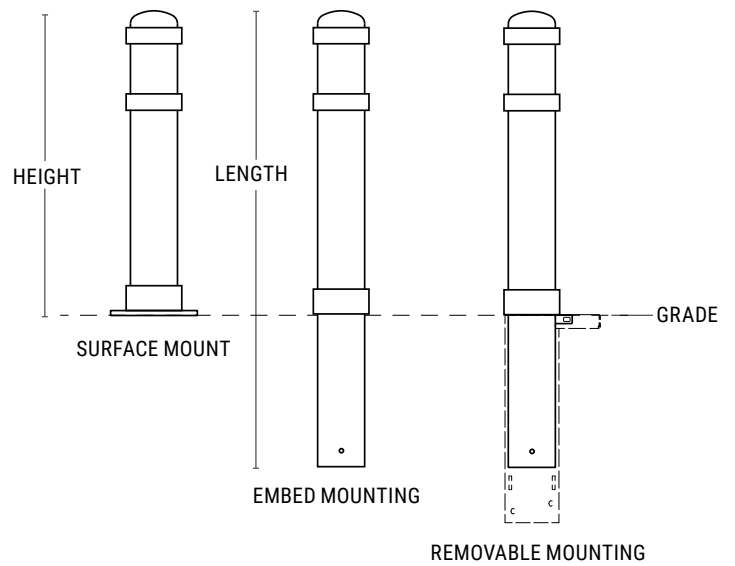
Fully welded, galvanized in 3" or 5" diameters as permanent embed, or 3-inch removable with handle.

Bollard Options & Accessories

- Bollard Options & Accessories
- Bollard Receivers & Accessories

B-1 Bollards, 4"

- 4.5" Dia. fully welded steel pipe
- Schedule 40 pipe only
- Standard heights: 30", 36", 42", or 48"
- Mounting options: surface, removable, or permanent embed
- Durable for security use, with optional eye bolts



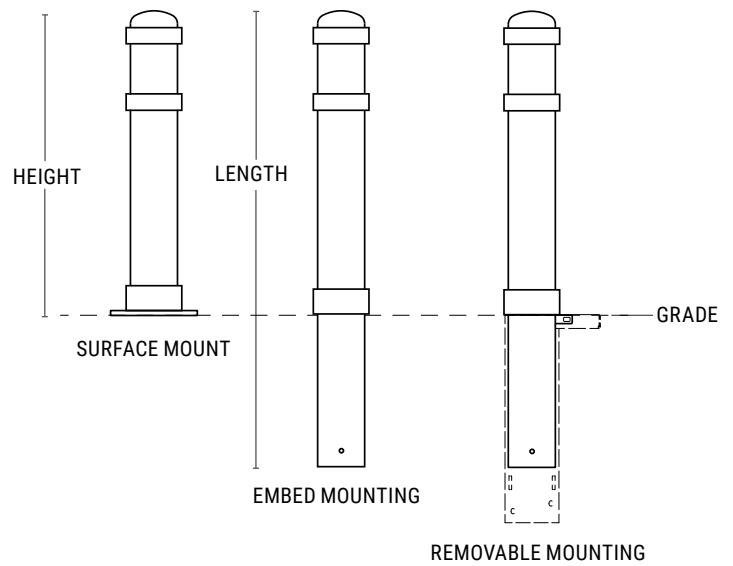
* removable bollard receivers sold separately.

PRODUCT	DESCRIPTION	SIZE	HEIGHT	LENGTH	MOUNTING	WEIGHT (LBS.)
B-0120-40-3004	Steel Bollard w/Collars - 4", 30", Permanent Embed, Sched. 40	4"	30"	48"	Permanent Embed	52
B-0100-40-3004	Steel Bollard w/Collars - 4", 30", Surface, Sched. 40	4"	30"	30"	Surface	46
B-0140-40-3004	Steel Bollard w/Collars - 4", 30", Removable, Sched. 40, use 4" Receiver	4"	30"	42"	Removable	69
B-0120-40-3604	Steel Bollard w/Collars - 4", 36", Permanent Embed, Sched. 40	4"	36"	54"	Permanent Embed	57
B-0100-40-3604	Steel Bollard w/Collars - 4", 36", Surface, Sched. 40	4"	36"	36"	Surface	50
B-0140-40-3604	Steel Bollard w/Collars - 4", 36", Removable, Sched. 40, use 4" Receiver	4"	36"	48"	Removable	74
B-0120-40-4204	Steel Bollard w/Collars - 4", 42", Permanent Embed, Sched. 40	4"	42"	60"	Permanent Embed	62
B-0100-40-4204	Steel Bollard w/Collars - 4", 42", Surface, Sched. 40	4"	42"	42"	Surface	54
B-0140-40-4204	Steel Bollard w/Collars - 4", 42", Removable, Sched. 40, use 4" Receiver	4"	42"	54"	Removable	79
B-0120-40-4804	Steel Bollard w/Collars - 4", 48", Permanent Embed, Sched. 40	4"	48"	66"	Permanent Embed	66
B-0100-40-4804	Steel Bollard w/Collars - 4", 48", Surface, Sched. 40	4"	48"	48"	Surface	58
B-0140-40-4804	Steel Bollard w/Collars - 4", 48", Removable, Sched. 40, use 4" Receiver	4"	48"	60"	Removable	83



B-1 Bollards, 6"

- 5.625" Dia. fully welded steel pipe, dome-top, and three collars
- Available in schedule 10, 40, or 80 pipe
- Standard heights: 30", 36", 42", or 48"
- Mounting options: surface, removable, or permanent embed
- Durable for security use, with optional eye bolts



* removable bollard receivers sold separately.

PRODUCT	DESCRIPTION	SIZE	HEIGHT	LENGTH	MOUNTING	WEIGHT (LBS.)
B-0120-10-3006	Steel Bollard w/Collars - 6", 30", Permanent Embed, Sched. 10	6"	30"	48"	Permanent Embed	63
B-0120-40-3006	Steel Bollard w/Collars - 6", 30", Permanent Embed, Sched. 40	6"	30"	48"	Permanent Embed	89
B-0120-80-3006	Steel Bollard w/Collars - 6", 30", Permanent Embed, Sched. 80	6"	30"	48"	Permanent Embed	113
B-0100-10-3006	Steel Bollard w/Collars - 6", 30", Surface, Sched. 10	6"	30"	30"	Surface	63
B-0100-40-3006	Steel Bollard w/Collars - 6", 30", Surface, Sched. 40	6"	30"	30"	Surface	89
B-0100-80-3006	Steel Bollard w/Collars - 6", 30", Surface, Sched. 80	6"	30"	30"	Surface	113
B-0140-10-3006	Steel Bollard w/Collars - 6", 30", Removable Sched. 10, use 6" Receiver	6"	30"	48"	Removable	93
B-0140-40-3006	Steel Bollard w/Collars - 6", 30", Removable Sched. 40, use 6" Receiver	6"	30"	48"	Removable	119
B-0140-80-3006	Steel Bollard w/Collars - 6", 30", Removable Sched. 80, use 6" Receiver	6"	30"	48"	Removable	143
B-0120-10-3606	Steel Bollard w/Collars - 6", 36", Permanent Embed, Sched. 10	6"	36"	54"	Permanent Embed	67
B-0120-40-3606	Steel Bollard w/Collars - 6", 36", Permanent Embed, Sched. 40	6"	36"	54"	Permanent Embed	96
B-0120-80-3606	Steel Bollard w/Collars - 6", 36", Permanent Embed, Sched. 80	6"	36"	54"	Permanent Embed	124
B-0100-10-3606	Steel Bollard w/Collars - 6", 36", Surface, Sched. 10	6"	36"	36"	Surface	67
B-0100-40-3606	Steel Bollard w/Collars - 6", 36", Surface, Sched. 40	6"	36"	36"	Surface	96
B-0100-80-3606	Steel Bollard w/Collars - 6", 36", Surface, Sched. 80	6"	36"	36"	Surface	124
B-0140-10-3606	Steel Bollard w/Collars - 6", 36", Removable Sched. 10, use 6" Receiver	6"	36"	54"	Removable	97
B-0140-40-3606	Steel Bollard w/Collars - 6", 36", Removable Sched. 40, use 6" Receiver	6"	36"	54"	Removable	126
B-0140-80-3606	Steel Bollard w/Collars - 6", 36", Removable Sched. 80, use 6" Receiver	6"	36"	54"	Removable	154

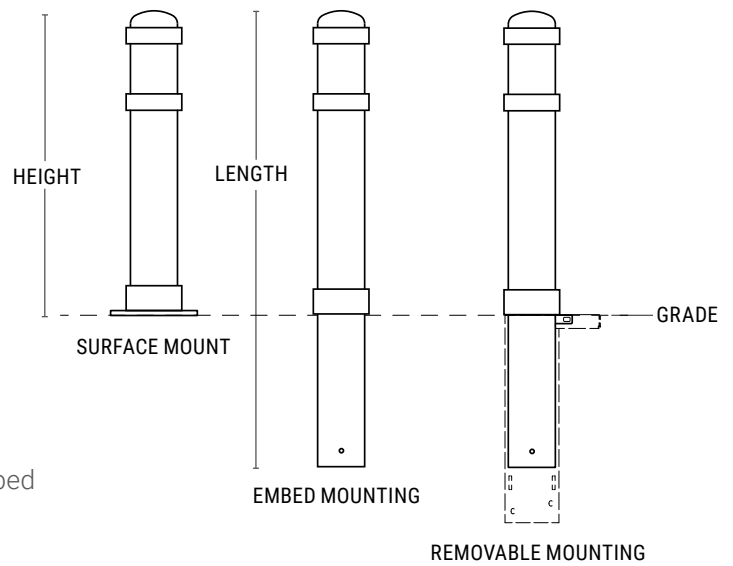


B-1 Bollards, 6", continued

PRODUCT	DESCRIPTION	SIZE	HEIGHT	LENGTH	MOUNTING	WEIGHT (LBS.)
B-0120-10-4206	Steel Bollard w/Collars - 6", 42", Permanent Embed, Sched. 10	6"	42"	60"	Permanent Embed	71
B-0120-40-4206	Steel Bollard w/Collars - 6", 42", Permanent Embed, Sched. 40	6"	42"	60"	Permanent Embed	103
B-0120-80-4206	Steel Bollard w/Collars - 6", 42", Permanent Embed, Sched. 80	6"	42"	60"	Permanent Embed	135
B-0100-10-4206	Steel Bollard w/Collars - 6", 42", Surface, Sched. 10	6"	42"	42"	Surface	71
B-0100-40-4206	Steel Bollard w/Collars - 6", 42", Surface, Sched. 40	6"	42"	42"	Surface	103
B-0100-80-4206	Steel Bollard w/Collars - 6", 42", Surface, Sched. 80	6"	42"	42"	Surface	135
B-0120-10-4806	Steel Bollard w/Collars - 6", 48", Permanent Embed, Sched. 10	6"	48"	66"	Permanent Embed	75
B-0120-40-4806	Steel Bollard w/Collars - 6", 48", Permanent Embed, Sched. 40	6"	48"	66"	Permanent Embed	110
B-0120-80-4806	Steel Bollard w/Collars - 6", 48", Permanent Embed, Sched. 80	6"	48"	66"	Permanent Embed	146
B-0100-10-4806	Steel Bollard w/Collars - 6", 48", Surface, Sched. 10	6"	48"	48"	Surface	75
B-0100-40-4806	Steel Bollard w/Collars - 6", 48", Surface, Sched. 40	6"	48"	48"	Surface	110
B-0100-80-4806	Steel Bollard w/Collars - 6", 48", Surface, Sched. 80	6"	48"	48"	Surface	146
B-0140-10-4806	Steel Bollard w/Collars - 6", 48", Removable Sched. 10, use 6" Receiver	6"	48"	66"	Removable	105
B-0140-40-4806	Steel Bollard w/Collars - 6", 48", Removable Sched. 40, use 6" Receiver	6"	48"	66"	Removable	140
B-0140-80-4806	Steel Bollard w/Collars - 6", 48", Removable Sched. 80, use 6" Receiver	6"	48"	66"	Removable	176

B-1 Bollards, 8"

- 8.625" Dia. fully welded steel pipe, dome-top, and three collars
- Designed for security and long-term durability.
- Available in schedule 40 and .188 wall
- Height options: 30", 36", 42", 48"
- Mounting options: surface, removable, or permanent embed
- Optional eyebolts available for specific projects



* B-1, 6" shown above

* removable bollard receivers sold separately.

PRODUCT	DESCRIPTION	SIZE	HEIGHT	LENGTH	MOUNTING	WEIGHT (LBS.)
B-0120-188-3008	Steel Bollard w/Collars - 8", 30", Permanent Embed, .188 Wall	8"	30"	48"	Permanent Embed	133
B-0120-40-3008	Steel Bollard w/Collars - 8", 30", Permanent Embed, Sched. 40	8"	30"	48"	Permanent Embed	167
B-0100-188-3008	Steel Bollard w/Collars - 8", 30", Surface, .188 Wall	8"	30"	30"	Surface	133
B-0100-40-3008	Steel Bollard w/Collars - 8", 30", Surface, Sched. 40	8"	30"	30"	Surface	138
B-0140-188-3008	Steel Bollard w/Collars - 8", 30", Removable .188 Wall, use 8" Receiver	8"	30"	48"	Removable	163
B-0140-40-3008	Steel Bollard w/Collars - 8", 30", Removable Sched. 40, use 8" Receiver	8"	30"	48"	Removable	191
B-0120-188-3608	Steel Bollard w/Collars - 8", 36", Permanent Embed, .188 Wall	8"	36"	54"	Permanent Embed	141
B-0120-40-3608	Steel Bollard w/Collars - 8", 36", Permanent Embed, Sched. 40	8"	36"	54"	Permanent Embed	181
B-0100-188-3608	Steel Bollard w/Collars - 8", 36", Surface, .188 Wall	8"	36"	36"	Surface	141
B-0100-40-3608	Steel Bollard w/Collars - 8", 36", Surface, Sched. 40	8"	36"	36"	Surface	153
B-0140-188-3608	Steel Bollard w/Collars - 8", 36", Removable .188 Wall, use 8" Receiver	8"	36"	54"	Removable	171
B-0140-40-3608	Steel Bollard w/Collars - 8", 36", Removable Sched. 40, use 8" Receiver	8"	36"	54"	Removable	205
B-0120-188-4208	Steel Bollard w/Collars - 8", 42", Permanent Embed, .188 Wall	8"	42"	60"	Permanent Embed	149
B-0120-40-4208	Steel Bollard w/Collars - 8", 42", Permanent Embed, Sched. 40	8"	42"	60"	Permanent Embed	196
B-0100-188-4208	Steel Bollard w/Collars - 8", 42", Surface, .188 Wall	8"	42"	42"	Surface	149
B-0100-40-4208	Steel Bollard w/Collars - 8", 42", Surface, Sched. 40	8"	42"	42"	Surface	167
B-0140-188-4208	Steel Bollard w/Collars - 8", 42", Removable .188 Wall, use 8" Receiver	8"	42"	60"	Removable	179
B-0140-40-4208	Steel Bollard w/Collars - 8", 42", Removable Sched. 40, use 8" Receiver	8"	42"	60"	Removable	220

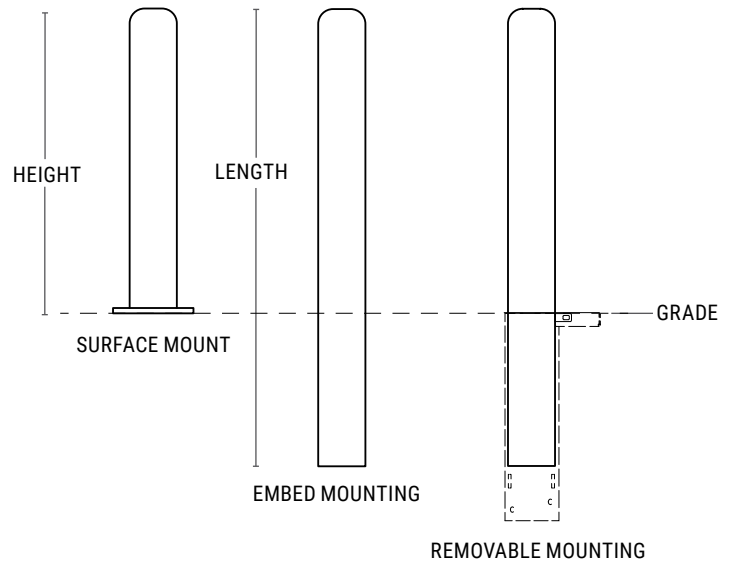


B-1 Bollards, 8", continued

PRODUCT	DESCRIPTION	SIZE	HEIGHT	LENGTH	MOUNTING	WEIGHT (LBS.)
B-0120-188-4808	Steel Bollard w/Collars - 8", 48", Permanent Embed, .188 Wall	8"	48"	66"	Permanent Embed	157
B-0120-40-4808	Steel Bollard w/Collars - 8", 48", Permanent Embed, Sched. 40	8"	48"	66"	Permanent Embed	210
B-0100-188-4808	Steel Bollard w/Collars - 8", 48", Surface, .188 Wall	8"	48"	48"	Surface	157
B-0100-40-4808	Steel Bollard w/Collars - 8", 48", Surface, Sched. 40	8"	48"	48"	Surface	181
B-0140-188-4808	Steel Bollard w/Collars - 8", 48", Removable .188 Wall, use 8" Receiver	8"	48"	66"	Removable	187
B-0140-40-4808	Steel Bollard w/Collars - 8", 48", Removable Sched. 40, use 8" Receiver	8"	48"	66"	Removable	234

B-2 Bollards, 4" Dome-top

- 4.5" Dia. fully welded steel pipe and dome-top
- Powder-coated finish
- Schedule 40 pipe only
- Standard heights: 30", 36", 42", or 48"
- Mounting options: surface, removable, or permanent embed
- With optional eye bolts



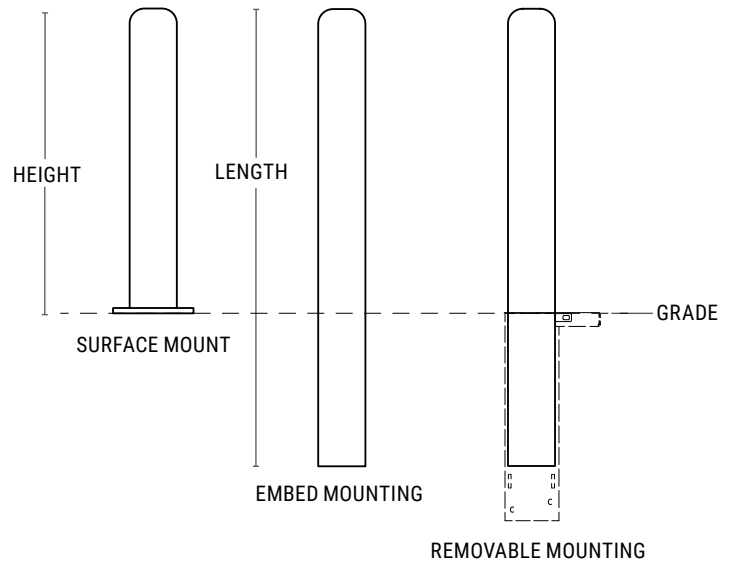
* removable bollard receivers sold separately.

PRODUCT	DESCRIPTION	SIZE	HEIGHT	LENGTH	MOUNTING	WEIGHT (LBS.)
B-0220-40-3004	Dome-top Steel Bollard - 4", 30", Sched. 40	4"	30"	48"	Permanent Embed	56
B-0200-40-3004	Dome-top Steel Bollard - 4", 30", Sched. 40	4"	30"	30"	Surface	56
B-0240-40-3004	Dome-top Steel Bollard - 4", 30", Sched. 40, use 4" Receiver	4"	30"	42"	Removable	81
B-0220-40-3604	Dome-top Steel Bollard - 4", 36", Sched. 40	4"	36"	54"	Permanent Embed	62
B-0200-40-3604	Dome-top Steel Bollard - 4", 36", Sched. 40	4"	36"	36"	Surface	62
B-0240-40-3604	Dome-top Steel Bollard - 4", 36", Sched. 40, use 4" Receiver	4"	36"	48"	Removable	87
B-0220-40-4204	Dome-top Steel Bollard - 4", 42", Sched. 40	4"	42"	60"	Permanent Embed	68
B-0200-40-4204	Dome-top Steel Bollard - 4", 42", Sched. 40	4"	42"	42"	Surface	68
B-0240-40-4204	Dome-top Steel Bollard - 4", 42", Sched. 40, use 4" Receiver	4"	42"	54"	Removable	93
B-0220-40-4804	Dome-top Steel Bollard - 4", 48", Sched. 40	4"	48"	66"	Permanent Embed	74
B-0200-40-4804	Dome-top Steel Bollard - 4", 48", Sched. 40	4"	48"	48"	Surface	74
B-0240-40-4804	Dome-top Steel Bollard - 4", 48", Sched. 40, use 4" Receiver	4"	48"	60"	Removable	99



B-2 Bollards, 6" Dome-top

- 5.625" Dia. fully welded steel pipe and dome-top
- Powder-coated finish
- Available in schedule 10, 40, or 80 pipe
- Standard heights: 30", 36", 42", or 48"
- Mounting options: surface, removable, or permanent embed
- With optional eye bolts



* removable bollard receivers sold separately.

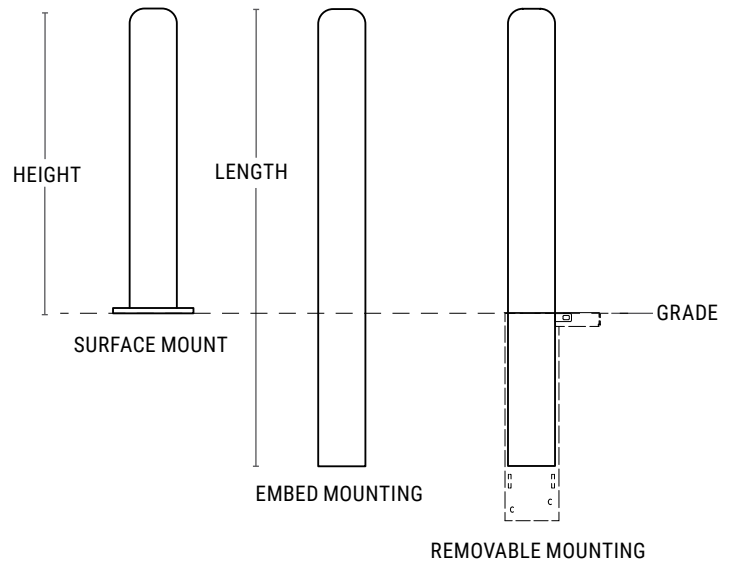
PRODUCT	DESCRIPTION	WIDTH	HEIGHT	LENGTH	MOUNTING	WEIGHT (LBS.)
B-0220-10-3006	Dome-top Steel Bollard - 6", 30", Sched. 10	6"	30"	48"	Permanent Embed	46
B-0220-40-3006	Dome-top Steel Bollard - 6", 30", Sched. 40	6"	30"	48"	Permanent Embed	72
B-0220-80-3006	Dome-top Steel Bollard - 6", 30", Sched. 80	6"	30"	48"	Permanent Embed	96
B-0200-10-3006	Dome-top Steel Bollard - 6", 30", Sched. 10	6"	30"	30"	Surface	46
B-0200-40-3006	Dome-top Steel Bollard - 6", 30", Sched. 40	6"	30"	30"	Surface	72
B-0200-80-3006	Dome-top Steel Bollard - 6", 30", Sched. 80	6"	30"	30"	Surface	96
B-0240-10-3006	Dome-top Steel Bollard - 6", 30", Schedule 10, use 6" Receiver	6"	30"	48"	Removable	76
B-0240-40-3006	Dome-top Steel Bollard - 6", 30", Sched. 40, use 6" Receiver	6"	30"	48"	Removable	102
B-0240-80-3006	Dome-top Steel Bollard - 6", 30", Sched. 80, use 6" Receiver	6"	30"	48"	Removable	126
B-0220-10-3606	Dome-top Steel Bollard - 6", 36", Sched. 10	6"	36"	54"	Permanent Embed	50
B-0220-40-3606	Dome-top Steel Bollard - 6", 36", Sched. 40	6"	36"	54"	Permanent Embed	80
B-0220-80-3606	Dome-top Steel Bollard - 6", 36", Sched. 80	6"	36"	54"	Permanent Embed	107
B-0200-10-3606	Dome-top Steel Bollard - 6", 36", Sched. 10	6"	36"	36"	Surface	50
B-0200-40-3606	Dome-top Steel Bollard - 6", 36", Sched. 40	6"	36"	36"	Surface	80
B-0200-80-3606	Dome-top Steel Bollard - 6", 36", Sched. 80	6"	36"	36"	Surface	107
B-0240-10-3606	Dome-top Steel Bollard - 6", 36", Sched. 10, use 6" Receiver	6"	36"	54"	Removable	80
B-0240-40-3606	Dome-top Steel Bollard - 6", 36", Sched. 40, use 6" Receiver	6"	36"	54"	Removable	110
B-0240-80-3606	Dome-top Steel Bollard - 6", 36", Sched. 80, use 6" Receiver	6"	36"	54"	Removable	137

B-2 Bollards, 6" Dome-top, continued

PRODUCT	DESCRIPTION	WIDTH	HEIGHT	LENGTH	MOUNTING	WEIGHT (LBS.)
B-0220-10-4206	Dome-top Steel Bollard - 6", 42", Sched. 10	6"	42"	60"	Permanent Embed	54
B-0220-40-4206	Dome-top Steel Bollard - 6", 42", Sched. 40	6"	42"	60"	Permanent Embed	88
B-0220-80-4206	Dome-top Steel Bollard - 6", 42", Sched. 80	6"	42"	60"	Permanent Embed	118
B-0200-10-4206	Dome-top Steel Bollard - 6", 42", Sched. 10	6"	42"	42"	Surface	54
B-0200-40-4206	Dome-top Steel Bollard - 6", 42", Sched. 40	6"	42"	42"	Surface	88
B-0200-80-4206	Dome-top Steel Bollard - 6", 42", Sched. 80	6"	42"	42"	Surface	118
B-0240-10-4206	Dome-top Steel Bollard - 6", 42", Sched. 10, use 6" Receiver	6"	42"	60"	Removable	84
B-0240-40-4206	Dome-top Steel Bollard - 6", 42", Sched. 40, use 6" Receiver	6"	42"	60"	Removable	118
B-0240-80-4206	Dome-top Steel Bollard - 6", 42", Sched. 80, use 6" Receiver	6"	42"	60"	Removable	148
B-0220-10-4806	Dome-top Steel Bollard - 6", 48", Sched. 10	6"	48"	66"	Permanent Embed	58
B-0220-40-4806	Dome-top Steel Bollard - 6", 48", Sched. 40	6"	48"	66"	Permanent Embed	96
B-0220-80-4806	Dome-top Steel Bollard - 6", 48", Sched. 80	6"	48"	66"	Permanent Embed	129
B-0200-10-4806	Dome-top Steel Bollard - 6", 48", Sched. 10	6"	48"	48"	Surface	58
B-0200-40-4806	Dome-top Steel Bollard - 6", 48", Sched. 40	6"	48"	48"	Surface	96
B-0200-80-4806	Dome-top Steel Bollard - 6", 48", Sched. 80	6"	48"	48"	Surface	129
B-0240-10-4806	Dome-top Steel Bollard - 6", 48", Sched. 10, use 6" Receiver	6"	48"	66"	Removable	88
B-0240-40-4806	Dome-top Steel Bollard - 6", 48", Sched. 40, use 6" Receiver	6"	48"	66"	Removable	126
B-0240-80-4806	Dome-top Steel Bollard - 6", 48", Schedule. 80, use 6" Receiver	6"	48"	66"	Removable	159

B-2 Bollards, 8" Dome-top

- 8.625" Dia. fully welded steel pipe and dome-top
- Powder-coated finish
- Available in schedule 40 and .188 wall
- Standard heights: 30", 36", 42", or 48"
- Mounting options: surface, removable, or permanent embed
- Optional eyebolts available for specific projects



* B-2, 6" shown above

* removable bollard receivers sold separately.

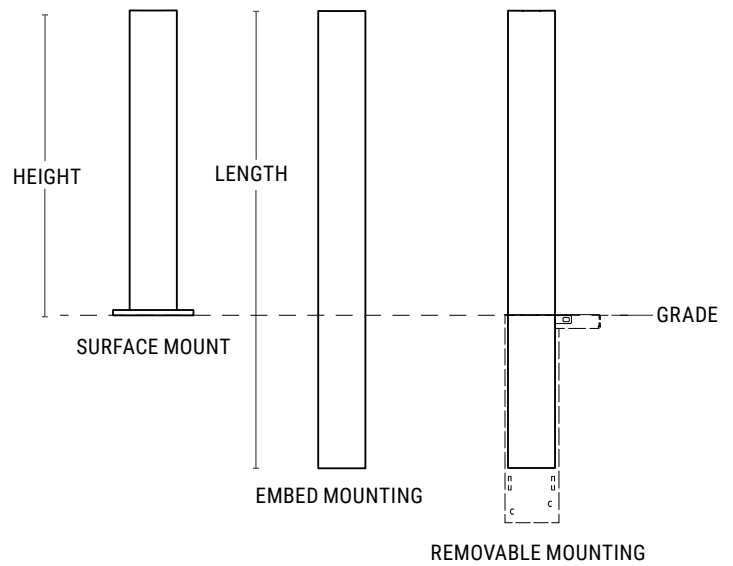
PRODUCT	DESCRIPTION	SIZE	HEIGHT	LENGTH	MOUNTING	WEIGHT (LBS.)
B-0220-188-3008	Dome-top Steel Bollard - 8", 30", .188 wall	8"	30"	48"	Permanent Embed	86
B-0220-40-3008	Dome-top Steel Bollard - 8", 30", Sched. 40	8"	30"	48"	Permanent Embed	129
B-0200-188-3008	Dome-top Steel Bollard - 8", 30", .188 wall	8"	30"	30"	Surface	86
B-0200-40-3008	Dome-top Steel Bollard - 8", 30", Sched. 40	8"	30"	30"	Surface	129
B-0240-188-3008	Dome-top Steel Bollard - 8", 30", .188 wall, use 8" Receiver	8"	30"	48"	Removable	116
B-0240-40-3008	Dome-top Steel Bollard - 8", 30", Sched. 40, use 8" Receiver	8"	30"	48"	Removable	159
B-0220-188-3608	Dome-top Steel Bollard - 8", 36", .188 wall	8"	36"	54"	Permanent Embed	94
B-0220-40-3608	Dome-top Steel Bollard - 8", 36", Sched. 40	8"	36"	54"	Permanent Embed	144
B-0200-188-3608	Dome-top Steel Bollard - 8", 36", .188 wall	8"	36"	36"	Surface	94
B-0200-40-3608	Dome-top Steel Bollard - 8", 36", Sched. 40	8"	36"	36"	Surface	144
B-0240-188-3608	Dome-top Steel Bollard - 8", 36", .188 wall, use 8" Receiver	8"	36"	54"	Removable	124
B-0240-40-3608	Dome-top Steel Bollard - 8", 36", Sched. 40, use 8" Receiver	8"	36"	54"	Removable	174
B-0220-188-4208	Dome-top Steel Bollard - 8", 42", .188 wall	8"	42"	60"	Permanent Embed	102
B-0220-40-4208	Dome-top Steel Bollard - 8", 42", Sched. 40	8"	42"	60"	Permanent Embed	159
B-0200-188-4208	Dome-top Steel Bollard - 8", 42", .188 wall	8"	42"	42"	Surface	102
B-0200-40-4208	Dome-top Steel Bollard - 8", 42", Sched. 40	8"	42"	42"	Surface	159
B-0240-188-4208	Dome-top Steel Bollard - 8", 42", .188 wall, use 8" Receiver	8"	42"	60"	Removable	132
B-0240-40-4208	Dome-top Steel Bollard - 8", 42", Sched. 40, use 8" Receiver	8"	42"	60"	Removable	189

B-2 Bollards, 8" Dome-top, continued

PRODUCT	DESCRIPTION	SIZE	HEIGHT	LENGTH	MOUNTING	WEIGHT (LBS.)
B-0220-188-4808	Dome-top Steel Bollard - 8", 48", .188 wall	8"	48"	66"	Permanent Embed	110
B-0220-40-4808	Dome-top Steel Bollard - 8", 48", Sched. 40	8"	48"	66"	Permanent Embed	174
B-0200-188-4808	Dome-top Steel Bollard - 8", 48", .188 wall	8"	48"	48"	Surface	110
B-0200-40-4808	Dome-top Steel Bollard - 8", 48", Sched. 40	8"	48"	48"	Surface	174
B-0240-188-4808	Dome-top Steel Bollard - 8", 48", .188 wall, use 8" Receiver	8"	48"	66"	Removable	140
B-0240-40-4808	Dome-top Steel Bollard - 8", 48", Sched. 40, use 8" Receiver	8"	48"	66"	Removable	204

B-2 Bollards, 4" Flat-top

- 4.5" Dia. fully welded steel pipe and flat-top
- Powder-coated finish
- Schedule 40 pipe only
- Standard heights: 30", 36", 42", or 48"
- Mounting options: surface, removable, or permanent embed
- With optional eye bolts

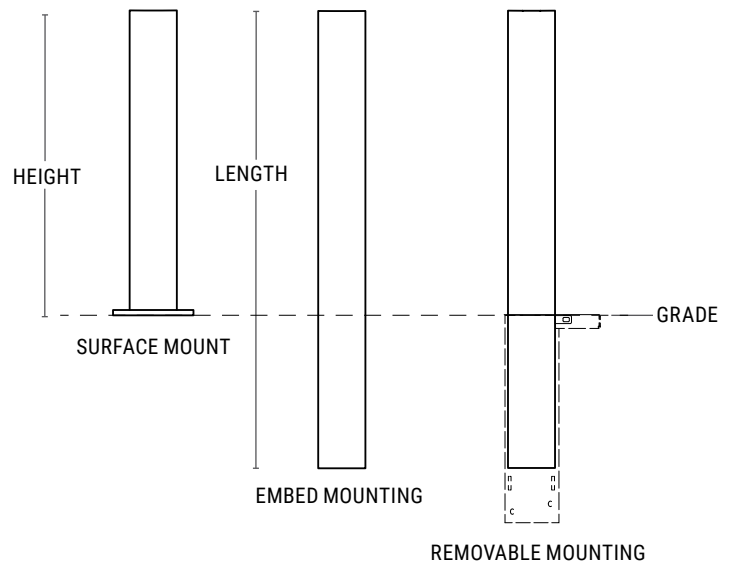


* removable bollard receivers sold separately.

PRODUCT	DESCRIPTION	SIZE	HEIGHT	LENGTH	MOUNTING	WEIGHT (LBS.)
B-02120-40-3004	Flat-top Steel Bollard - 4", 30", Sched. 40	4"	30"	48"	Permanent Embed	56
B-02100-40-3004	Flat-top Steel Bollard - 4", 30", Sched. 40	4"	30"	30"	Surface	56
B-02140-40-3004	Flat-top Steel Bollard - 4", 30", Sched. 40, use 4" Receiver	4"	30"	42"	Removable	81
B-02120-40-3604	Flat-top Steel Bollard - 4", 36", Sched. 40	4"	36"	54"	Permanent Embed	62
B-02100-40-3604	Flat-top Steel Bollard - 4", 36", Sched. 40	4"	36"	36"	Surface	62
B-02140-40-3604	Flat-top Steel Bollard - 4", 36", Sched. 40, use 4" Receiver	4"	36"	48"	Removable	87
B-02120-40-4204	Flat-top Steel Bollard - 4", 42", Sched. 40	4"	42"	60"	Permanent Embed	68
B-02100-40-4204	Flat-top Steel Bollard - 4", 42", Sched. 40	4"	42"	42"	Surface	68
B-02140-40-4204	Flat-top Steel Bollard - 4", 42", Sched. 40, use 4" Receiver	4"	42"	54"	Removable	93
B-02120-40-4804	Flat-top Steel Bollard - 4", 48", Sched. 40	4"	48"	66"	Permanent Embed	74
B-02100-40-4804	Flat-top Steel Bollard - 4", 48", Sched. 40	4"	48"	48"	Surface	74
B-02140-40-4804	Flat-top Steel Bollard - 4", 48", Sched. 40, use 4" Receiver	4"	48"	60"	Removable	99

B-2 Bollards, 6" Flat-top

- 5.625" Dia. fully welded steel pipe and flat-top
- Powder-coated finish
- Available in schedule 10, 40, or 80 pipe
- Standard heights: 30", 36", 42", or 48"
- Mounting options: surface, removable, or permanent embed
- With optional eye bolts



* removable bollard receivers sold separately.

PRODUCT	DESCRIPTION	WIDTH	HEIGHT	LENGTH	MOUNTING	WEIGHT (LBS.)
B-02120-10-3006	Flat-top Steel Bollard - 6", 30", Sched. 10	6"	30"	48"	Permanent Embed	46
B-02120-40-3006	Flat-top Steel Bollard - 6", 30", Sched. 40	6"	30"	48"	Permanent Embed	72
B-02120-80-3006	Flat-top Steel Bollard - 6", 30", Sched. 80	6"	30"	48"	Permanent Embed	96
B-02100-10-3006	Flat-top Steel Bollard - 6", 30", Sched. 10	6"	30"	30"	Surface	46
B-02100-40-3006	Flat-top Steel Bollard - 6", 30", Sched. 40	6"	30"	30"	Surface	72
B-02100-80-3006	Flat-top Steel Bollard - 6", 30", Sched. 80	6"	30"	30"	Surface	96
B-02140-10-3006	Flat-top Steel Bollard - 6", 30", Sched. 10, use 6" Receiver	6"	30"	48"	Removable	76
B-02140-40-3006	Flat-top Steel Bollard - 6", 30", Sched. 40, use 6" Receiver	6"	30"	48"	Removable	102
B-02140-80-3006	Flat-top Steel Bollard - 6", 30", Sched. 80, use 6" Receiver	6"	30"	48"	Removable	126
B-02120-10-3606	Flat-top Steel Bollard - 6", 36", Sched. 10	6"	36"	54"	Permanent Embed	50
B-02120-40-3606	Flat-top Steel Bollard - 6", 36", Sched. 40	6"	36"	54"	Permanent Embed	80
B-02120-80-3606	Flat-top Steel Bollard - 6", 36", Sched. 80	6"	36"	54"	Permanent Embed	107
B-02100-10-3606	Flat-top Steel Bollard - 6", 36", Sched. 10	6"	36"	36"	Surface	46
B-02100-40-3606	Flat-top Steel Bollard - 6", 36", Sched. 40	6"	36"	36"	Surface	72
B-02100-80-3606	Flat-top Steel Bollard - 6", 36", Sched. 80	6"	36"	36"	Surface	96
B-02140-10-3606	Flat-top Steel Bollard - 6", 36", Sched. 10, use 6" Receiver	6"	36"	54"	Removable	76
B-02140-40-3606	Flat-top Steel Bollard - 6", 36", Sched. 40, use 6" Receiver	6"	36"	54"	Removable	102
B-02140-80-3606	Flat-top Steel Bollard - 6", 36", Sched. 80 w/ 6" Receiver	6"	36"	54"	Removable	126

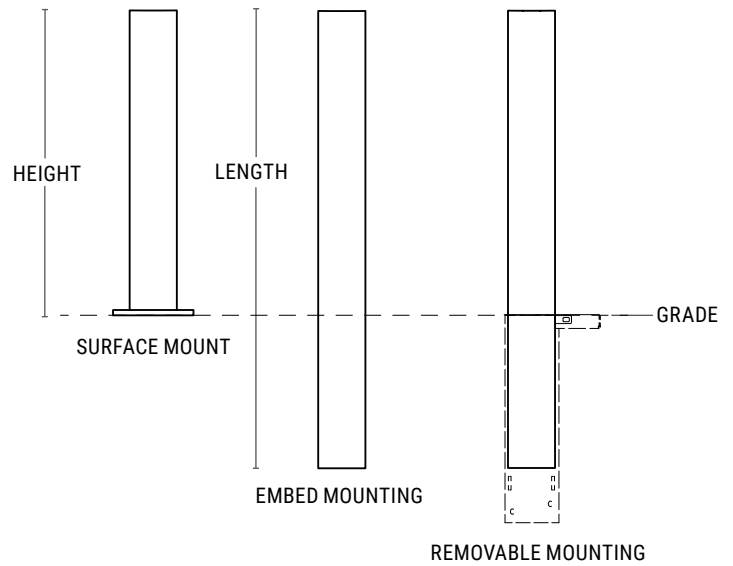


B-2 Bollards, 6" Flat-top, continued

PRODUCT	DESCRIPTION	WIDTH	HEIGHT	LENGTH	MOUNTING	WEIGHT (LBS.)
B-02120-10-4206	Flat-top Steel Bollard - 6", 42", Sched. 10	6"	42"	60"	Permanent Embed	54
B-02120-40-4206	Flat-top Steel Bollard - 6", 42", Sched. 40	6"	42"	60"	Permanent Embed	88
B-02120-80-4206	Flat-top Steel Bollard - 6", 42", Sched. 80	6"	42"	60"	Permanent Embed	118
B-02100-10-4206	Flat-top Steel Bollard - 6", 42", Sched. 10	6"	42"	42"	Surface	54
B-02100-40-4206	Flat-top Steel Bollard - 6", 42", Sched. 40	6"	42"	42"	Surface	88
B-02100-80-4206	Flat-top Steel Bollard - 6", 42", Sched. 80	6"	42"	42"	Surface	118
B-02140-10-4206	Flat-top Steel Bollard - 6", 42", Sched. 10, use 6" Receiver	6"	42"	60"	Removable	84
B-02140-40-4206	Flat-top Steel Bollard - 6", 42", Sched. 40, use 6" Receiver	6"	42"	60"	Removable	118
B-02140-80-4206	Flat-top Steel Bollard - 6", 42", Sched. 80, use 6" Receiver	6"	42"	60"	Removable	148
B-02120-10-4806	Flat-top Steel Bollard - 6", 48", Sched. 10	6"	48"	66"	Permanent Embed	58
B-02120-40-4806	Flat-top Steel Bollard - 6", 48", Sched. 40	6"	48"	66"	Permanent Embed	96
B-02120-80-4806	Flat-top Steel Bollard - 6", 48", Sched. 80	6"	48"	66"	Permanent Embed	129
B-02100-10-4806	Flat-top Steel Bollard - 6", 48", Sched. 10	6"	48"	48"	Surface	58
B-02100-40-4806	Flat-top Steel Bollard - 6", 48", Sched. 40	6"	48"	48"	Surface	96
B-02100-80-4806	Flat-top Steel Bollard - 6", 48", Sched. 80	6"	48"	48"	Surface	129
B-02140-10-4806	Flat-top Steel Bollard - 6", 48", Sched. 10, use 6" Receiver	6"	48"	66"	Removable	88
B-02140-40-4806	Flat-top Steel Bollard - 6", 48", Sched. 40, use 6" Receiver	6"	48"	66"	Removable	126
B-02140-80-4806	Flat-top Steel Bollard - 6", 48", Sched. 80, use 6" Receiver	6"	48"	66"	Removable	159

B-2 Bollards, 8" Flat-top

- 8.625" Dia. fully welded steel pipe and flat-top
- Powder-coated finish
- Available in schedule 40 and .188 wall
- Standard heights: 30", 36", 42", or 48"
- Mounting options: surface, removable, or permanent embed
- Optional eyebolts available for specific projects



* B-2, 6" shown above

* removable bollard receivers sold separately.

PRODUCT	DESCRIPTION	SIZE	HEIGHT	LENGTH	MOUNTING	WEIGHT (LBS.)
B-02120-188-3008	Flat-top Steel Bollard - 8", 30", .188 wall	8"	30"	48"	Permanent Embed	86
B-02120-40-3008	Flat-top Steel Bollard - 8", 30", Sched. 40	8"	30"	48"	Permanent Embed	129
B-02100-188-3008	Flat-top Steel Bollard - 8", 30", .188 wall	8"	30"	30"	Surface	86
B-02100-40-3008	Flat-top Steel Bollard - 8", 30", Sched. 40	8"	30"	30"	Surface	129
B-02140-188-3008	Flat-top Steel Bollard - 8", 30", .188 wall, use 8" Receiver	8"	30"	48"	Removable	116
B-02140-40-3008	Flat-top Steel Bollard - 8", 30", Sched. 40, use 8" Receiver	8"	30"	48"	Removable	159
B-02120-188-3608	Flat-top Steel Bollard - 8", 36", .188 wall	8"	36"	54"	Permanent Embed	94
B-02120-40-3608	Flat-top Steel Bollard - 8", 36", Sched. 40	8"	36"	54"	Permanent Embed	144
B-02100-188-3608	Flat-top Steel Bollard - 8", 36", .188 wall	8"	36"	36"	Surface	94
B-02100-40-3608	Flat-top Steel Bollard - 8", 36", Sched. 40	8"	36"	36"	Surface	144
B-02140-188-3608	Flat-top Steel Bollard - 8", 36", .188 wall, use 8" Receiver	8"	36"	54"	Removable	124
B-02140-40-3608	Flat-top Steel Bollard - 8", 36", Sched. 40, use 8" Receiver	8"	36"	54"	Removable	174
B-02120-188-4208	Flat-top Steel Bollard - 8", 42", .188 wall	8"	42"	60"	Permanent Embed	102
B-02120-40-4208	Flat-top Steel Bollard - 8", 42", Sched. 40	8"	42"	60"	Permanent Embed	159
B-02100-188-4208	Flat-top Steel Bollard - 8", 42", .188 wall	8"	42"	42"	Surface	102
B-02100-40-4208	Flat-top Steel Bollard - 8", 42", Sched. 40	8"	42"	42"	Surface	159
B-02140-188-4208	Flat-top Steel Bollard - 8", 42", .188 wall, use 8" Receiver	8"	42"	60"	Removable	132
B-02140-40-4208	Flat-top Steel Bollard - 8", 42", Sched. 40, use 8" Receiver	8"	42"	60"	Removable	189

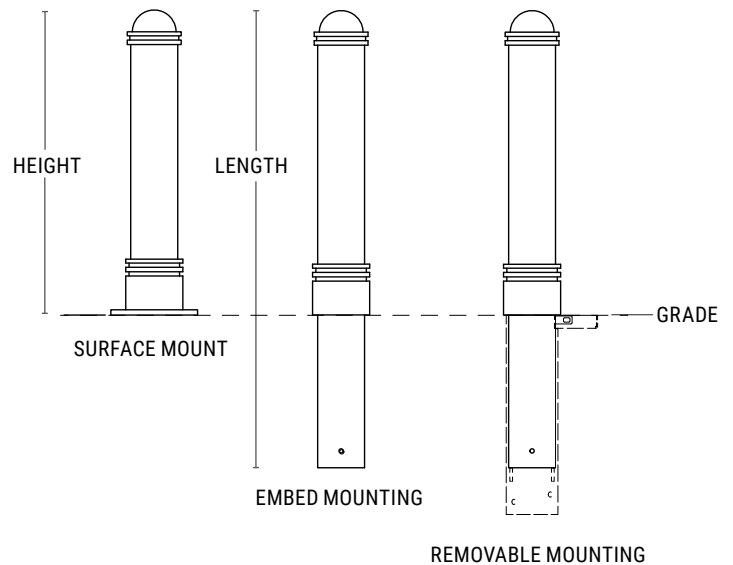


B-2 Bollards, 8" Flat-top, continued

PRODUCT	DESCRIPTION	SIZE	HEIGHT	LENGTH	MOUNTING	WEIGHT (LBS.)
B-02120-188-4808	Flat-top Steel Bollard - 8", 48", .188 wall	8"	48"	66"	Permanent Embed	110
B-02120-40-4808	Flat-top Steel Bollard - 8", 48", Sched. 40	8"	48"	66"	Permanent Embed	174
B-02100-188-4808	Flat-top Steel Bollard - 8", 48", .188 wall	8"	48"	48"	Surface	110
B-02100-40-4808	Flat-top Steel Bollard - 8", 48", Sched. 40	8"	48"	48"	Surface	174
B-02140-188-4808	Flat-top Steel Bollard - 8", 48", .188 wall, use 8" Receiver	8"	48"	66"	Removable	140
B-02140-40-4808	Flat-top Steel Bollard - 8", 48", Sched. 40, use 8" Receiver	8"	48"	66"	Removable	204

B-3 Bollards, 6"

- 5.625" Dia. fully welded pipe
- Cast steel top and base collar
- Available in schedule 10, 40 or 80 pipe
- Standard heights: 30", 36", 42", or 48"
- Mounting options: surface, removable, or permanent embed
- With optional eye bolts



* removable bollard receivers sold separately.

PRODUCT	DESCRIPTION	SIZE	HEIGHT	LENGTH	MOUNTING	WEIGHT (LBS.)
B-0320-10-3006	Steel Bollard - 6", 30", Permanent Embed, Sched. 10	6"	30"	48"	Permanent Embed	59
B-0320-40-3006	Steel Bollard - 6", 30", Permanent Embed, Sched. 40	6"	30"	48"	Permanent Embed	84
B-0320-80-3006	Steel Bollard - 6", 30", Permanent Embed, Sched. 80	6"	30"	48"	Permanent Embed	114
B-0300-10-3006	Steel Bollard - 6", 30", Surface, Sched. 10	6"	30"	30"	Surface	57
B-0300-40-3006	Steel Bollard - 6", 30", Surface, Sched. 40	6"	30"	30"	Surface	77
B-0300-80-3006	Steel Bollard - 6", 30", Surface, Sched. 80	6"	30"	30"	Surface	93
B-0340-10-3006	Steel Bollard - 6", 30", Removable, Sched. 10, use 6" Receiver	6"	30"	48"	Removable	87
B-0340-40-3006	Steel Bollard - 6", 30", Removable, Sched. 40, use 6" Receiver	6"	30"	48"	Removable	112
B-0340-80-3006	Steel Bollard - 6", 30", Removable, Sched. 80, use 6" Receiver	6"	30"	48"	Removable	142
B-0320-10-3606	Steel Bollard - 6", 36", Permanent Embed, Sched. 10	6"	36"	54"	Permanent Embed	63
B-0320-40-3606	Steel Bollard - 6", 36", Permanent Embed, Sched. 40	6"	36"	54"	Permanent Embed	91
B-0320-80-3606	Steel Bollard - 6", 36", Permanent Embed, Sched. 80	6"	36"	54"	Permanent Embed	124
B-0300-10-3606	Steel Bollard - 6", 36", Surface, Sched. 10	6"	36"	36"	Surface	61
B-0300-40-3606	Steel Bollard - 6", 36", Surface, Sched. 40	6"	36"	36"	Surface	85
B-0300-80-3606	Steel Bollard - 6", 36", Surface, Sched. 80	6"	36"	36"	Surface	102
B-0340-10-3606	Steel Bollard - 6", 36", Removable, Sched. 10, use 6" Receiver	6"	36"	54"	Removable	91
B-0340-40-3606	Steel Bollard - 6", 36", Removable, Sched. 40, use 6" Receiver	6"	36"	54"	Removable	119
B-0340-80-3606	Steel Bollard - 6", 36", Removable, Sched. 80, use 6" Receiver	6"	36"	54"	Removable	152

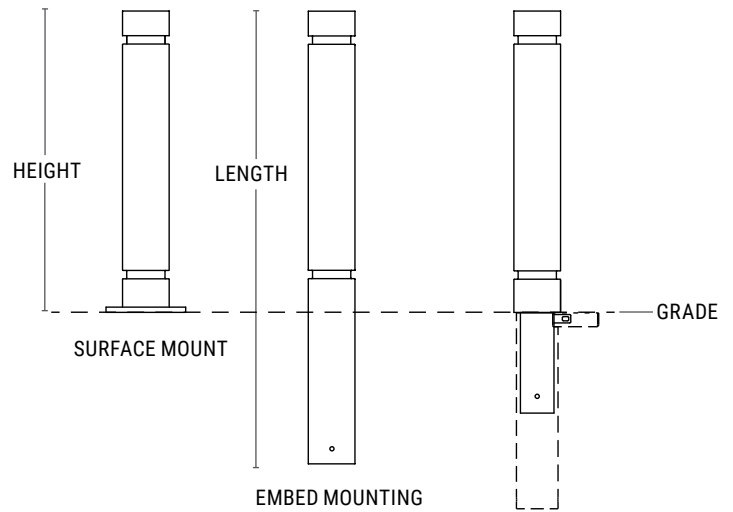


B-3 Bollard 6", continued

PRODUCT	DESCRIPTION	SIZE	HEIGHT	LENGTH	MOUNTING	WEIGHT (LBS.)
B-0320-10-4206	Steel Bollard - 6", 42", Permanent Embed, Sched. 10	6"	42"	60"	Permanent Embed	67
B-0320-40-4206	Steel Bollard - 6", 42", Permanent Embed, Sched. 40	6"	42"	60"	Permanent Embed	99
B-0320-80-4206	Steel Bollard - 6", 42", Permanent Embed, Sched. 80	6"	42"	60"	Permanent Embed	135
B-0300-10-4206	Steel Bollard - 6", 42", Surface, Sched. 10	6"	42"	42"	Surface	65
B-0300-40-4206	Steel Bollard - 6", 42", Surface, Sched. 40	6"	42"	42"	Surface	92
B-0300-80-4206	Steel Bollard - 6", 42", Surface, Sched. 80	6"	42"	42"	Surface	112
B-0340-10-4206	Steel Bollard - 6", 42", Removable, Sched. 10, use 6" Receiver	6"	42"	60"	Removable	95
B-0340-40-4206	Steel Bollard - 6", 42", Removable, Sched. 40, use 6" Receiver	6"	42"	60"	Removable	126
B-0340-80-4206	Steel Bollard - 6", 42", Removable, Sched. 80, use 6" Receiver	6"	42"	60"	Removable	162
B-0320-10-4806	Steel Bollard - 6", 48", Permanent Embed, Sched. 10	6"	48"	66"	Permanent Embed	71
B-0320-40-4806	Steel Bollard - 6", 48", Permanent Embed, Sched. 40	6"	48"	66"	Permanent Embed	107
B-0320-80-4806	Steel Bollard - 6", 48", Permanent Embed, Sched. 80	6"	48"	66"	Permanent Embed	145
B-0300-10-4806	Steel Bollard - 6", 48", Surface, Sched. 10	6"	48"	48"	Surface	69
B-0300-40-4806	Steel Bollard - 6", 48", Surface, Sched. 40	6"	48"	48"	Surface	99
B-0300-80-4806	Steel Bollard - 6", 48", Surface, Sched. 80	6"	48"	48"	Surface	123
B-0340-10-4806	Steel Bollard - 6", 48", Removable, Sched. 10, use 6" Receiver	6"	48"	66"	Removable	99
B-0340-40-4806	Steel Bollard - 6", 48", Removable, Sched. 40, use 6" Receiver	6"	48"	66"	Removable	134
B-0340-80-4806	Steel Bollard - 6", 48", Removable, Sched. 80, use 6" Receiver	6"	48"	66"	Removable	173

B-4 Bollards, 6" Flat-top

- 5.625" Dia. fully welded steel pipe and flat-top, with decorative reveals
- Available in schedule 10, 40, or 80 pipe
- Standard heights: 30", 36", 42", or 48"
- Mounting options: surface, removable, or permanent embed
- With optional eye bolts



REMOVABLE MOUNTING

* removable bollard receivers sold separately.

PRODUCT	DESCRIPTION	SIZE	HEIGHT	LENGTH	MOUNTING	WEIGHT (LBS.)
B-40220-10-3006	6" Steel Bollard w/ Flat-top, 30", Two Reveals, Permanent Embed, Sched. 10	6"	30"	48"	Permanent Embed	47
B-40220-40-3006	6" Steel Bollard w/ Flat-top, 30", Two Reveals, Permanent Embed, Sched. 40	6"	30"	48"	Permanent Embed	57
B-40220-80-3006	6" Steel Bollard w/ Flat-top, 30", Two Reveals, Permanent Embed, Sched. 80	6"	30"	48"	Permanent Embed	98
B-40200-10-3006	6" Steel Bollard w/ Flat-top, 30", Two Reveals, Surface, Sched. 10	6"	30"	30"	Surface	47
B-40200-40-3006	6" Steel Bollard w/ Flat-top, 30", Two Reveals, Surface, Sched. 40	6"	30"	30"	Surface	57
B-40200-80-3006	6" Steel Bollard w/ Flat-top, 30", Two Reveals, Surface, Sched. 80	6"	30"	30"	Surface	98
B-40240-10-3006	6" Steel Bollard w/ Flat-top, 30", Two Reveals, Removable, Sched. 10 w/4" Receiver	6"	30"	42"	Removable	69
B-40240-40-3006	6" Steel Bollard w/ Flat-top, 30", Two Reveals, Removable, Sched. 40 w/4" Receiver	6"	30"	42"	Removable	79
B-40240-80-3006	6" Steel Bollard w/ Flat-top, 30", Two Reveals, Removable, Sched. 80 w/4" Receiver	6"	30"	42"	Removable	120
B-40220-10-3606	6" Steel Bollard w/ Flat-top, 36", Two Reveals, Permanent Embed, Sched. 10	6"	36"	54"	Permanent Embed	60
B-40220-40-3606	6" Steel Bollard w/ Flat-top, 36", Two Reveals, Permanent Embed, Sched. 40	6"	36"	54"	Permanent Embed	78
B-40220-80-3606	6" Steel Bollard w/ Flat-top, 36", Two Reveals, Permanent Embed, Sched. 80	6"	36"	54"	Permanent Embed	118
B-40200-10-3606	6" Steel Bollard w/ Flat-top, 36", Two Reveals, Surface, Sched. 10	6"	36"	36"	Surface	60
B-40200-40-3606	6" Steel Bollard w/ Flat-top, 36", Two Reveals, Surface, Sched. 40	6"	36"	36"	Surface	78
B-40200-80-3606	6" Steel Bollard w/ Flat-top, 36", Two Reveals, Surface, Sched. 80	6"	36"	36"	Surface	118
B-40240-10-3606	6" Steel Bollard w/ Flat-top, 36", Two Reveals, Removable, Sched. 10 w/4" Receiver	6"	36"	48"	Removable	83
B-40240-40-3606	6" Steel Bollard w/ Flat-top, 36", Two Reveals, Removable, Sched. 40 w/4" Receiver	6"	36"	48"	Removable	96
B-40240-80-3606	6" Steel Bollard w/ Flat-top, 36", Two Reveals, Removable, Sched. 80 w/4" Receiver	6"	36"	48"	Removable	130



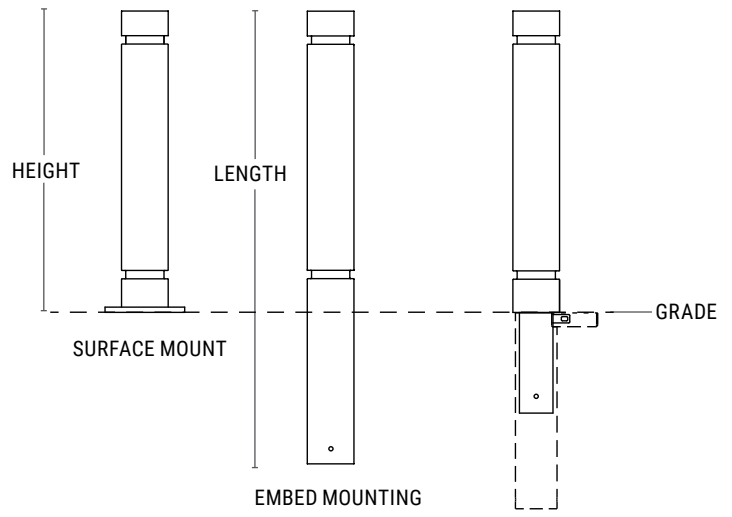
B-4 Bollards, 6" Flat-top, continued

PRODUCT	DESCRIPTION	SIZE	HEIGHT	LENGTH	MOUNTING	WEIGHT (LBS.)
B-40220-10-4206	6" Steel Bollard w/ Flat-top, 42", Two Reveals, Permanent Embed, Sched. 10	6"	42"	60"	Permanent Embed	65
B-40220-40-4206	6" Steel Bollard w/ Flat-top, 42", Two Reveals, Permanent Embed, Sched. 40	6"	42"	60"	Permanent Embed	82
B-40220-80-4206	6" Steel Bollard w/ Flat-top, 42", Two Reveals, Permanent Embed, Sched. 80	6"	42"	60"	Permanent Embed	129
B-40200-10-4206	6" Steel Bollard w/ Flat-top, 42", Two Reveals, Surface, Sched. 10	6"	42"	42"	Surface	60
B-40200-40-4206	6" Steel Bollard w/ Flat-top, 42", Two Reveals, Surface, Sched. 40	6"	42"	42"	Surface	80
B-40200-80-4206	6" Steel Bollard w/ Flat-top, 42", Two Reveals, Surface, Sched. 80	6"	42"	42"	Surface	119
B-40240-10-4206	6" Steel Bollard w/ Flat-top, 42", Two Reveals, Removable, Sched. 10 w/4" Receiver	6"	42"	54"	Removable	85
B-40240-40-4206	6" Steel Bollard w/ Flat-top, 42", Two Reveals, Removable, Sched. 40 w/4" Receiver	6"	42"	54"	Removable	100
B-40240-80-4206	6" Steel Bollard w/ Flat-top, 42", Two Reveals, Removable, Sched. 80 w/4" Receiver	6"	42"	54"	Removable	141
B-40220-10-4806	6" Steel Bollard w/ Flat-top, 48", Two Reveals, Permanent Embed, Sched. 10	6"	48"	66"	Permanent Embed	75
B-40220-40-4806	6" Steel Bollard w/ Flat-top, 48", Two Reveals, Permanent Embed, Sched. 40	6"	48"	66"	Permanent Embed	88
B-40220-80-4806	6" Steel Bollard w/ Flat-top, 48", Two Reveals, Permanent Embed, Sched. 80	6"	48"	66"	Permanent Embed	140
B-40200-10-4806	6" Steel Bollard w/ Flat-top, 48", Two Reveals, Surface, Sched. 10	6"	48"	48"	Surface	75
B-40200-40-4806	6" Steel Bollard w/ Flat-top, 48", Two Reveals, Surface, Sched. 40	6"	48"	48"	Surface	88
B-40200-80-4806	6" Steel Bollard w/ Flat-top, 48", Two Reveals, Surface, Sched. 80	6"	48"	48"	Surface	140
B-40240-10-4806	6" Steel Bollard w/ Flat-top, 48", Two Reveals, Removable, Sched. 10 w/4" Receiver	6"	48"	60"	Removable	90
B-40240-40-4806	6" Steel Bollard w/ Flat-top, 48", Two Reveals, Removable, Sched. 40 w/4" Receiver	6"	48"	60"	Removable	115
B-40240-80-4806	6" Steel Bollard w/ Flat-top, 48", Two Reveals, Removable, Sched. 80 w/4" Receiver	6"	48"	60"	Removable	152



B-4 Bollards, 8" Flat-top

- 8.625" Dia. fully welded steel pipe and flat-top, with decorative reveals
- Available in schedule 40 and .188 wall
- Standard heights: 30", 36", 42", or 48"
- Mounting options: surface, removable, or permanent embed
- With optional eye bolts



* B-4, 6" shown above

* removable bollard receivers sold separately.

REMOVABLE MOUNTING

PRODUCT	DESCRIPTION	SIZE	HEIGHT	LENGTH	MOUNTING	WEIGHT (LBS.)
B-40220-188-3008	8" Steel Bollard w/ Flat-top, 30", Two Reveals, Permanent Embed, .188 Wall	8"	30"	48"	Permanent Embed	103
B-40220-40-3008	8" Steel Bollard w/ Flat-top, 30", Two Reveals, Permanent Embed, Sched. 40	8"	30"	48"	Permanent Embed	144
B-40200-188-3008	8" Steel Bollard w/ Flat-top, 30", Two Reveals, Surface, .188 Wall	8"	30"	30"	Surface	103
B-40200-40-3008	8" Steel Bollard w/ Flat-top, 30", Two Reveals, Surface, Sched. 40	8"	30"	30"	Surface	144
B-40240-188-3008	8" Steel Bollard w/ Flat-top, 30", Two Reveals, Removable, .188 Wall w/6" Receiver	8"	30"	48"	Removable	129
B-40240-40-3008	8" Steel Bollard w/ Flat-top, 30", Two Reveals, Removable, Sched. 40 w/6" Receiver	8"	30"	48"	Removable	170
B-40220-188-3608	8" Steel Bollard w/ Flat-top, 36", Two Reveals, Permanent Embed, .188 Wall	8"	36"	54"	Permanent Embed	111
B-40220-40-3608	8" Steel Bollard w/ Flat-top, 36", Two Reveals, Permanent Embed, Sched. 40	8"	36"	54"	Permanent Embed	159
B-40200-188-3608	8" Steel Bollard w/ Flat-top, 36", Two Reveals, Surface, .188 Wall	8"	36"	36"	Surface	111
B-40200-40-3608	8" Steel Bollard w/ Flat-top, 36", Two Reveals, Surface, Sched. 40	8"	36"	36"	Surface	159
B-40240-188-3608	8" Steel Bollard w/ Flat-top, 36", Two Reveals, Removable, .188 Wall w/6" Receiver	8"	36"	54"	Removable	137
B-40240-40-3608	8" Steel Bollard w/ Flat-top, 36", Two Reveals, Removable, Sched. 40 w/6" Receiver	8"	36"	54"	Removable	185
B-40220-188-4208	8" Steel Bollard w/ Flat-top, 42", Two Reveals, Permanent Embed, .188 Wall	8"	42"	60"	Permanent Embed	120
B-40220-40-4208	8" Steel Bollard w/ Flat-top, 42", Two Reveals, Permanent Embed, Sched. 40	8"	42"	60"	Permanent Embed	173
B-40200-188-4208	8" Steel Bollard w/ Flat-top, 42", Two Reveals, Surface, .188 Wall	8"	42"	42"	Surface	120
B-40200-40-4208	8" Steel Bollard w/ Flat-top, 42", Two Reveals, Surface, Sched. 40	8"	42"	42"	Surface	173
B-40240-188-4208	8" Steel Bollard w/ Flat-top, 42", Two Reveals, Removable, .188 Wall w/6" Receiver	8"	42"	60"	Removable	146
B-40240-40-4208	8" Steel Bollard w/ Flat-top, 42", Two Reveals, Removable, Sched. 40 w/6" Receiver	8"	42"	60"	Removable	199

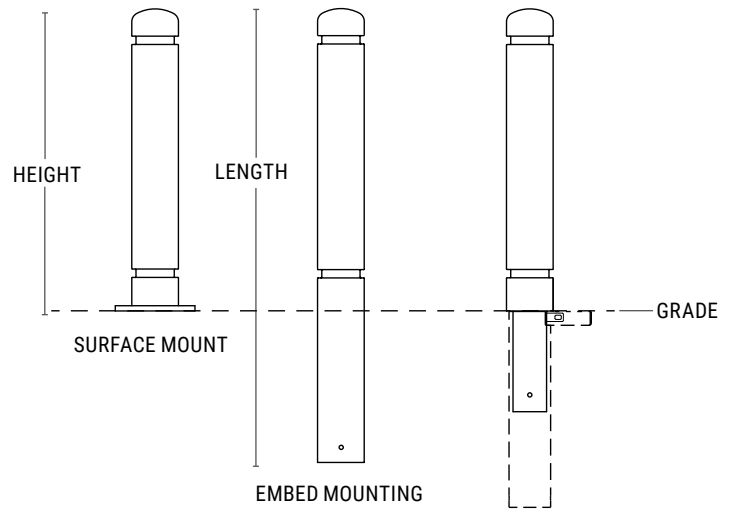


B-4 Bollards, 8" Flat-top, continued

PRODUCT	DESCRIPTION	SIZE	HEIGHT	LENGTH	MOUNTING	WEIGHT (LBS.)
B-40220-188-4808	8" Steel Bollard w/ Flat-top, 48", Two Reveals, Permanent Embed, .188 Wall	8"	48"	66"	Permanent Embed	128
B-40220-40-4808	8" Steel Bollard w/ Flat-top, 48", Two Reveals, Permanent Embed, Sched. 40	8"	48"	66"	Permanent Embed	188
B-40200-188-4808	8" Steel Bollard w/ Flat-top, 48", Two Reveals, Surface, .188 Wall	8"	48"	48"	Surface	128
B-40200-40-4808	8" Steel Bollard w/ Flat-top, 48", Two Reveals, Surface, Sched. 40	8"	48"	48"	Surface	188
B-40240-188-4808	8" Steel Bollard w/ Flat-top, 48", Two Reveals, Removable, .188 Wall w/6" Receiver	8"	48"	66"	Removable	154
B-40240-40-4808	8" Steel Bollard w/ Flat-top, 48", Two Reveals, Removable, Sched. 40 w/6" Receiver	8"	48"	66"	Removable	214

B-4 Bollards, 6" Dome-top

- 5.625" Dia. fully welded steel pipe and dome-top, with decorative reveals
- Available in schedule 10, 40, or 80 pipe
- Standard heights: 30", 36", 42", or 48"
- Mounting options: surface, removable, or permanent embed
- With optional eye bolts



REMOVABLE MOUNTING

* removable bollard receivers sold separately.

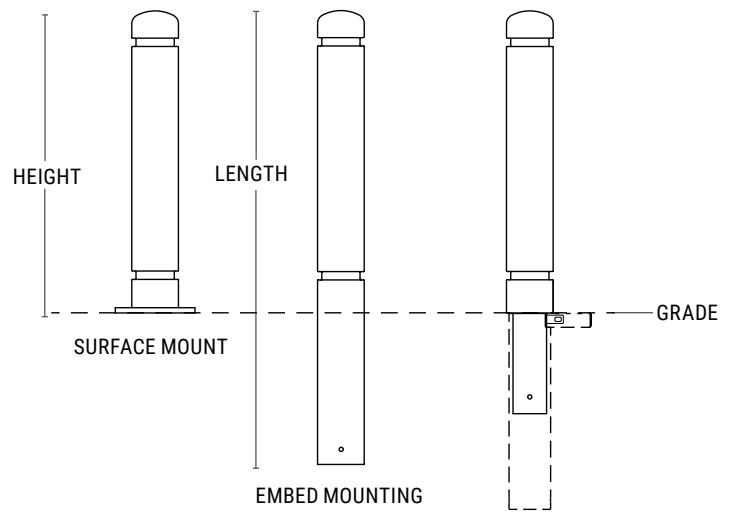
PRODUCT	DESCRIPTION	SIZE	HEIGHT	LENGTH	MOUNTING	WEIGHT (LBS.)
B-41220-10-3006	6" Steel Bollard w/ Dome-top, 30", Two Reveals, Permanent Embed, Sched. 10	6"	30"	48"	Permanent Embed	47
B-41220-40-3006	6" Steel Bollard w/ Dome-top, 30", Two Reveals, Permanent Embed, Sched. 40	6"	30"	48"	Permanent Embed	57
B-41220-80-3006	6" Steel Bollard w/ Dome-top, 30", Two Reveals, Permanent Embed, Sched. 80	6"	30"	48"	Permanent Embed	98
B-41200-10-3006	6" Steel Bollard w/ Dome-top, 30", Two Reveals, Surface, Sched. 10	6"	30"	30"	Surface	47
B-41200-40-3006	6" Steel Bollard w/ Dome-top, 30", Two Reveals, Surface, Sched. 40	6"	30"	30"	Surface	57
B-41200-80-3006	6" Steel Bollard w/ Dome-top, 30", Two Reveals, Surface, Sched. 80	6"	30"	30"	Surface	98
B-41240-10-3006	6" Steel Bollard w/ Dome-top, 30", Two Reveals, Removable, Sched. 10 w/4" Receiver	6"	30"	42"	Removable	69
B-41240-40-3006	6" Steel Bollard w/ Dome-top, 30", Two Reveals, Removable, Sched. 40 w/4" Receiver	6"	30"	42"	Removable	79
B-41240-80-3006	6" Steel Bollard w/ Dome-top, 30", Two Reveals, Removable, Sched. 80 w/4" Receiver	6"	30"	42"	Removable	120
B-41220-10-3606	6" Steel Bollard w/ Dome-top, 36", Two Reveals, Permanent Embed, Sched. 10	6"	36"	54"	Permanent Embed	60
B-41220-40-3606	6" Steel Bollard w/ Dome-top, 36", Two Reveals, Permanent Embed, Sched. 40	6"	36"	54"	Permanent Embed	78
B-41220-80-3606	6" Steel Bollard w/ Dome-top, 36", Two Reveals, Permanent Embed, Sched. 80	6"	36"	54"	Permanent Embed	118
B-41200-10-3606	6" Steel Bollard w/ Dome-top, 36", Two Reveals, Surface, Sched. 10	6"	36"	36"	Surface	60
B-41200-40-3606	6" Steel Bollard w/ Dome-top, 36", Two Reveals, Surface, Sched. 40	6"	36"	36"	Surface	78
B-41200-80-3606	6" Steel Bollard w/ Dome-top, 36", Two Reveals, Surface, Sched. 80	6"	36"	36"	Surface	118
B-41240-10-3606	6" Steel Bollard w/ Dome-top, 36", Two Reveals, Removable, Sched. 10 w/4" Receiver	6"	36"	48"	Removable	83
B-41240-40-3606	6" Steel Bollard w/ Dome-top, 36", Two Reveals, Removable, Sched. 40 w/4" Receiver	6"	36"	48"	Removable	96
B-41240-80-3606	6" Steel Bollard w/ Dome-top, 36", Two Reveals, Removable, Sched. 80 w/4" Receiver	6"	36"	48"	Removable	130

B-4 Bollards, 6" Dome-top, continued

PRODUCT	DESCRIPTION	SIZE	HEIGHT	LENGTH	MOUNTING	WEIGHT (LBS.)
B-41220-10-4206	6" Steel Bollard w/ Dome-top, 42", Two Reveals, Permanent Embed, Sched. 10	6"	42"	60"	Permanent Embed	65
B-41220-40-4206	6" Steel Bollard w/ Dome-top, 42", Two Reveals, Permanent Embed, Sched. 40	6"	42"	60"	Permanent Embed	82
B-41220-80-4206	6" Steel Bollard w/ Dome-top, 42", Two Reveals, Permanent Embed, Sched. 80	6"	42"	60"	Permanent Embed	129
B-41200-10-4206	6" Steel Bollard w/ Dome-top, 42", Two Reveals, Surface, Sched. 10	6"	42"	42"	Surface	60
B-41200-40-4206	6" Steel Bollard w/ Dome-top, 42", Two Reveals, Surface, Sched. 40	6"	42"	42"	Surface	80
B-41200-80-4206	6" Steel Bollard w/ Dome-top, 42", Two Reveals, Surface, Sched. 80	6"	42"	42"	Surface	119
B-41240-10-4206	6" Steel Bollard w/ Dome-top, 42", Two Reveals, Removable, Sched. 10 w/4" Receiver	6"	42"	54"	Removable	85
B-41240-40-4206	6" Steel Bollard w/ Dome-top, 42", Two Reveals, Removable, Sched. 40 w/4" Receiver	6"	42"	54"	Removable	100
B-41240-80-4206	6" Steel Bollard w/ Dome-top, 42", Two Reveals, Removable, Sched. 80 w/4" Receiver	6"	42"	54"	Removable	141
B-41220-10-4806	6" Steel Bollard w/ Dome-top, 48", Two Reveals, Permanent Embed, Sched. 10	6"	48"	66"	Permanent Embed	75
B-41220-40-4806	6" Steel Bollard w/ Dome-top, 48", Two Reveals, Permanent Embed, Sched. 40	6"	48"	66"	Permanent Embed	88
B-41220-80-4806	6" Steel Bollard w/ Dome-top, 48", Two Reveals, Permanent Embed, Sched. 80	6"	48"	66"	Permanent Embed	140
B-41200-10-4806	6" Steel Bollard w/ Dome-top, 48", Two Reveals, Surface, Sched. 10	6"	48"	48"	Surface	75
B-41200-40-4806	6" Steel Bollard w/ Dome-top, 48", Two Reveals, Surface, Sched. 40	6"	48"	48"	Surface	88
B-41200-80-4806	6" Steel Bollard w/ Dome-top, 48", Two Reveals, Surface, Sched. 80	6"	48"	48"	Surface	140
B-41240-10-4806	6" Steel Bollard w/ Dome-top, 48", Two Reveals, Removable, Sched. 10 w/4" Receiver	6"	48"	60"	Removable	90
B-41240-40-4806	6" Steel Bollard w/ Dome-top, 48", Two Reveals, Removable, Sched. 40 w/4" Receiver	6"	48"	60"	Removable	115
B-41240-80-4806	6" Steel Bollard w/ Dome-top, 48", Two Reveals, Removable, Sched. 80 w/4" Receiver	6"	48"	60"	Removable	152

B-4 Bollards, 8" Dome-top

- 8.625" Dia. fully welded steel pipe and dome-top, with decorative reveals
- Available in schedule 40 and .188 wall
- Standard heights: 30", 36", 42", or 48"
- Mounting options: surface, removable, or permanent embed
- With optional eye bolts



REMOVABLE MOUNTING

* B-4, 6" shown above

* removable bollard receivers sold separately.

PRODUCT	DESCRIPTION	SIZE	HEIGHT	LENGTH	MOUNTING	WEIGHT (LBS.)
B-41220-188-3008	8" Steel Bollard w/ Dome-top, 30", Two Reveals, Permanent Embed, .188 Wall	8"	30"	48"	Permanent Embed	104
B-41220-40-3008	8" Steel Bollard w/ Dome-top, 30", Two Reveals, Permanent Embed, Sched. 40	8"	30"	48"	Permanent Embed	143
B-41200-188-3008	8" Steel Bollard w/ Dome-top, 30", Two Reveals, Surface, .188 Wall	8"	30"	30"	Surface	104
B-41200-40-3008	8" Steel Bollard w/ Dome-top, 30", Two Reveals, Surface, Sched. 40	8"	30"	30"	Surface	143
B-41240-188-3008	8" Steel Bollard w/ Dome-top, 30", Two Reveals, Removable, .188 Wall w/6" Receiver	8"	30"	48"	Removable	130
B-41240-40-3008	8" Steel Bollard w/ Dome-top, 30", Two Reveals, Removable, Sched. 40 w/6" Receiver	8"	30"	48"	Removable	169
B-41220-188-3608	8" Steel Bollard w/ Dome-top, 36", Two Reveals, Permanent Embed, .188 Wall	8"	36"	54"	Permanent Embed	112
B-41220-40-3608	8" Steel Bollard w/ Dome-top, 36", Two Reveals, Permanent Embed, Sched. 40	8"	36"	54"	Permanent Embed	157
B-41200-188-3608	8" Steel Bollard w/ Dome-top, 36", Two Reveals, Surface, .188 Wall	8"	36"	36"	Surface	112
B-41200-40-3608	8" Steel Bollard w/ Dome-top, 36", Two Reveals, Surface, Sched. 40	8"	36"	36"	Surface	157
B-41240-188-3608	8" Steel Bollard w/ Dome-top, 36", Two Reveals, Removable, .188 Wall w/6" Receiver	8"	36"	54"	Removable	138
B-41240-40-3608	8" Steel Bollard w/ Dome-top, 36", Two Reveals, Removable, Sched. 40 w/6" Receiver	8"	36"	54"	Removable	183
B-41220-188-4208	8" Steel Bollard w/ Dome-top, 42", Two Reveals, Permanent Embed, .188 Wall	8"	42"	60"	Permanent Embed	121
B-41220-40-4208	8" Steel Bollard w/ Dome-top, 42", Two Reveals, Permanent Embed, Sched. 40	8"	42"	60"	Permanent Embed	172
B-41200-188-4208	8" Steel Bollard w/ Dome-top, 42", Two Reveals, Surface, .188 Wall	8"	42"	42"	Surface	121
B-41200-40-4208	8" Steel Bollard w/ Dome-top, 42", Two Reveals, Surface, Sched. 40	8"	42"	42"	Surface	172
B-41240-188-4208	8" Steel Bollard w/ Dome-top, 42", Two Reveals, Removable, .188 Wall w/6" Receiver	8"	42"	60"	Removable	147
B-41240-40-4208	8" Steel Bollard w/ Dome-top, 42", Two Reveals, Removable, Sched. 40 w/6" Receiver	8"	42"	60"	Removable	198

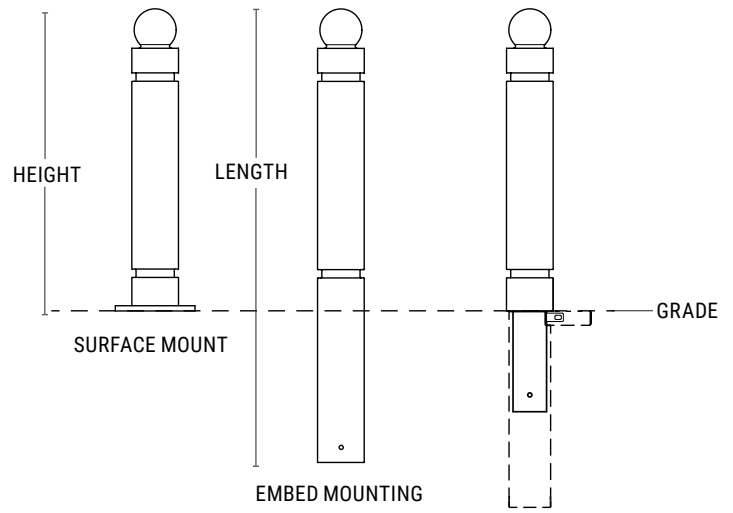


B-4 Bollards, 8" Dome-top, continued

PRODUCT	DESCRIPTION	SIZE	HEIGHT	LENGTH	MOUNTING	WEIGHT (LBS.)
B-41220-188-4808	8" Steel Bollard w/ Dome-top, 48", Two Reveals, Permanent Embed, .188 Wall	8"	48"	66"	Permanent Embed	129
B-41220-40-4808	8" Steel Bollard w/ Dome-top, 48", Two Reveals, Permanent Embed, Sched. 40	8"	48"	66"	Permanent Embed	186
B-41200-188-4808	8" Steel Bollard w/ Dome-top, 48", Two Reveals, Surface, .188 Wall	8"	48"	48"	Surface	129
B-41200-40-4808	8" Steel Bollard w/ Dome-top, 48", Two Reveals, Surface, Sched. 40	8"	48"	48"	Surface	186
B-41240-188-4808	8" Steel Bollard w/ Dome-top, 48", Two Reveals, Removable, .188 Wall w/6" Receiver	8"	48"	66"	Removable	155
B-41240-40-4808	8" Steel Bollard w/ Dome-top, 48", Two Reveals, Removable, Sched. 40 w/6" Receiver	8"	48"	66"	Removable	212

B-4 Bollards, 6" Sphere-top

- 5.625" Dia. fully welded steel pipe and sphere-top, with decorative reveals
- Available in schedule 10, 40, or 80 pipe
- Standard heights: 30", 36", 42", or 48"
- Mounting options: surface, removable, or permanent embed
- With optional eye bolts



REMOVABLE MOUNTING

* removable bollard receivers sold separately.

PRODUCT	DESCRIPTION	SIZE	HEIGHT	LENGTH	MOUNTING	WEIGHT (LBS.)
B-42220-10-3006	6" Steel Bollard w/ Sphere-top 30", Two Reveals, Permanent Embed, Sched. 10	6"	30"	48"	Permanent Embed	47
B-42220-40-3006	6" Steel Bollard w/ Sphere-top 30", Two Reveals, Permanent Embed, Sched. 40	6"	30"	48"	Permanent Embed	57
B-42220-80-3006	6" Steel Bollard w/ Sphere-top 30", Two Reveals, Permanent Embed, Sched. 80	6"	30"	48"	Permanent Embed	98
B-42200-10-3006	6" Steel Bollard w/ Sphere-top 30", Two Reveals, Surface, Sched. 10	6"	30"	30"	Surface	47
B-42200-40-3006	6" Steel Bollard w/ Sphere-top 30", Two Reveals, Surface, Sched. 40	6"	30"	30"	Surface	57
B-42200-80-3006	6" Steel Bollard w/ Sphere-top 30", Two Reveals, Surface, Sched. 80	6"	30"	30"	Surface	98
B-42240-10-3006	6" Steel Bollard w/ Sphere-top 30", Two Reveals, Removable, Sched. 10 w/4" Receiver	6"	30"	42"	Removable	69
B-42240-40-3006	6" Steel Bollard w/ Sphere-top 30", Two Reveals, Removable, Sched. 40 w/4" Receiver	6"	30"	42"	Removable	79
B-42240-80-3006	6" Steel Bollard w/ Sphere-top 30", Two Reveals, Removable, Sched. 80 w/4" Receiver	6"	30"	42"	Removable	120
B-42220-10-3606	6" Steel Bollard w/ Sphere-top 36", Two Reveals, Permanent Embed, Sched. 10	6"	36"	54"	Permanent Embed	60
B-42220-40-3606	6" Steel Bollard w/ Sphere-top 36", Two Reveals, Permanent Embed, Sched. 40	6"	36"	54"	Permanent Embed	78
B-42220-80-3606	6" Steel Bollard w/ Sphere-top 36", Two Reveals, Permanent Embed, Sched. 80	6"	36"	54"	Permanent Embed	118
B-42200-10-3606	6" Steel Bollard w/ Sphere-top 36", Two Reveals, Surface, Sched. 10	6"	36"	36"	Surface	60
B-42200-40-3606	6" Steel Bollard w/ Sphere-top 36", Two Reveals, Surface, Sched. 40	6"	36"	36"	Surface	78
B-42200-80-3606	6" Steel Bollard w/ Sphere-top 36", Two Reveals, Surface, Sched. 80	6"	36"	36"	Surface	118
B-42240-10-3606	6" Steel Bollard w/ Sphere-top 36", Two Reveals, Removable, Sched. 10 w/4" Receiver	6"	36"	48"	Removable	83
B-42240-40-3606	6" Steel Bollard w/ Sphere-top 36", Two Reveals, Removable, Sched. 40 w/4" Receiver	6"	36"	48"	Removable	96
B-42240-80-3606	6" Steel Bollard w/ Sphere-top 36", Two Reveals, Removable, Sched. 80 w/4" Receiver	6"	36"	48"	Removable	130

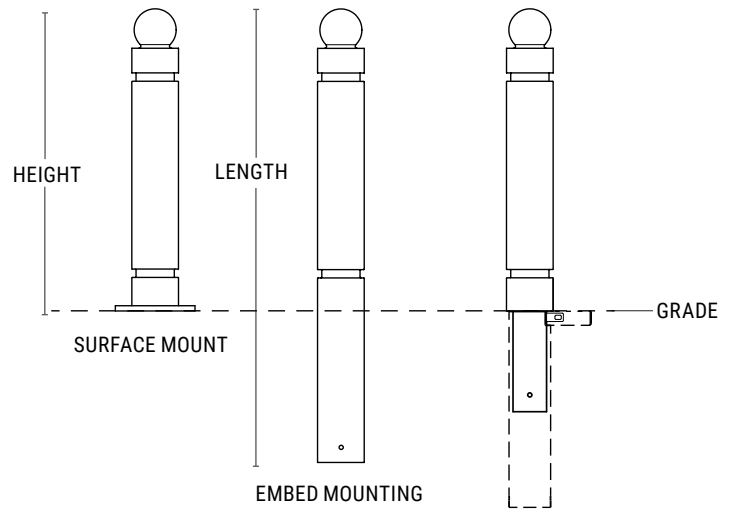


B-4 Bollards, 6" Sphere-top, continued

PRODUCT	DESCRIPTION	SIZE	HEIGHT	LENGTH	MOUNTING	WEIGHT (LBS.)
B-42220-10-4206	6" Steel Bollard w/ Sphere-top 42", Two Reveals, Permanent Embed, Sched. 10	6"	42"	60"	Permanent Embed	65
B-42220-40-4206	6" Steel Bollard w/ Sphere-top 42", Two Reveals, Permanent Embed, Sched. 40	6"	42"	60"	Permanent Embed	82
B-42220-80-4206	6" Steel Bollard w/ Sphere-top 42", Two Reveals, Permanent Embed, Sched. 80	6"	42"	60"	Permanent Embed	129
B-42200-10-4206	6" Steel Bollard w/ Sphere-top 42", Two Reveals, Surface, Sched. 10	6"	42"	42"	Surface	60
B-42200-40-4206	6" Steel Bollard w/ Sphere-top 42", Two Reveals, Surface, Sched. 40	6"	42"	42"	Surface	80
B-42200-80-4206	6" Steel Bollard w/ Sphere-top 42", Two Reveals, Surface, Sched. 80	6"	42"	42"	Surface	119
B-42240-10-4206	6" Steel Bollard w/ Sphere-top 42", Two Reveals, Removable, Sched. 10 w/4" Receiver	6"	42"	54"	Removable	85
B-42240-40-4206	6" Steel Bollard w/ Sphere-top 42", Two Reveals, Removable, Sched. 40 w/4" Receiver	6"	42"	54"	Removable	100
B-42240-80-4206	6" Steel Bollard w/ Sphere-top 42", Two Reveals, Removable, Sched. 80 w/4" Receiver	6"	42"	54"	Removable	141
B-42220-10-4806	6" Steel Bollard w/ Sphere-top 48", Two Reveals, Permanent Embed, Sched. 10	6"	48"	66"	Permanent Embed	75
B-42220-40-4806	6" Steel Bollard w/ Sphere-top 48", Two Reveals, Permanent Embed, Sched. 40	6"	48"	66"	Permanent Embed	88
B-42220-80-4806	6" Steel Bollard w/ Sphere-top 48", Two Reveals, Permanent Embed, Sched. 80	6"	48"	66"	Permanent Embed	140
B-42200-10-4806	6" Steel Bollard w/ Sphere-top 48", Two Reveals, Surface, Sched. 10	6"	48"	48"	Surface	75
B-42200-40-4806	6" Steel Bollard w/ Sphere-top 48", Two Reveals, Surface, Sched. 40	6"	48"	48"	Surface	88
B-42200-80-4806	6" Steel Bollard w/ Sphere-top 48", Two Reveals, Surface, Sched. 80	6"	48"	48"	Surface	140
B-42240-10-4806	6" Steel Bollard w/ Sphere-top 48", Two Reveals, Removable, Sched. 10 w/4" Receiver	6"	48"	60"	Removable	90
B-42240-40-4806	6" Steel Bollard w/ Sphere-top 48", Two Reveals, Removable, Sched. 40 w/4" Receiver	6"	48"	60"	Removable	115
B-42240-80-4806	6" Steel Bollard w/ Sphere-top 48", Two Reveals, Removable, Sched. 80 w/4" Receiver	6"	48"	60"	Removable	152

B-4 Bollards, 8" Sphere-top

- 8.625" Dia. fully welded steel pipe and sphere-top, with decorative reveals
- Available in schedule 40 and .188 wall
- Standard heights: 30", 36", 42", or 48"
- Mounting options: surface, removable, or permanent embed
- With optional eye bolts



* B-4, 6" shown above

* removable bollard receivers sold separately.

PRODUCT	DESCRIPTION	SIZE	HEIGHT	LENGTH	MOUNTING	WEIGHT (LBS.)
B-42220-188-3008	8" Steel Bollard w/ Sphere-top 30", Two Reveals, Permanent Embed, .188 Wall	8"	30"	48"	Permanent Embed	93
B-42220-40-3008	8" Steel Bollard w/ Sphere-top 30", Two Reveals, Permanent Embed, Sched. 40	8"	30"	48"	Permanent Embed	129
B-42200-188-3008	8" Steel Bollard w/ Sphere-top 30", Two Reveals, Surface, .188 Wall	8"	30"	30"	Surface	93
B-42200-40-3008	8" Steel Bollard w/ Sphere-top 30", Two Reveals, Surface, Sched. 40	8"	30"	30"	Surface	129
B-42240-188-3008	8" Steel Bollard w/ Sphere-top 30", Two Reveals, Removable, .188 Wall w/6" Receiver	8"	30"	48"	Removable	119
B-42240-40-3008	8" Steel Bollard w/ Sphere-top 30", Two Reveals, Removable, Sched. 40 w/6" Receiver	8"	30"	48"	Removable	155
B-42220-188-3608	8" Steel Bollard w/ Sphere-top 36", Two Reveals, Permanent Embed, .188 Wall	8"	36"	54"	Permanent Embed	102
B-42220-40-3608	8" Steel Bollard w/ Sphere-top 36", Two Reveals, Permanent Embed, Sched. 40	8"	36"	54"	Permanent Embed	144
B-42200-188-3608	8" Steel Bollard w/ Sphere-top 36", Two Reveals, Surface, .188 Wall	8"	36"	36"	Surface	102
B-42200-40-3608	8" Steel Bollard w/ Sphere-top 36", Two Reveals, Surface, Sched. 40	8"	36"	36"	Surface	144
B-42240-188-3608	8" Steel Bollard w/ Sphere-top 36", Two Reveals, Removable, .188 Wall w/6" Receiver	8"	36"	54"	Removable	128
B-42240-40-3608	8" Steel Bollard w/ Sphere-top 36", Two Reveals, Removable, Sched. 40 w/6" Receiver	8"	36"	54"	Removable	170
B-42220-188-4208	8" Steel Bollard w/ Sphere-top 42", Two Reveals, Permanent Embed, .188 Wall	8"	42"	60"	Permanent Embed	110
B-42220-40-4208	8" Steel Bollard w/ Sphere-top 42", Two Reveals, Permanent Embed, Sched. 40	8"	42"	60"	Permanent Embed	158
B-42200-188-4208	8" Steel Bollard w/ Sphere-top 42", Two Reveals, Surface, .188 Wall	8"	42"	42"	Surface	110
B-42200-40-4208	8" Steel Bollard w/ Sphere-top 42", Two Reveals, Surface, Sched. 40	8"	42"	42"	Surface	158
B-42240-188-4208	8" Steel Bollard w/ Sphere-top 42", Two Reveals, Removable, .188 Wall w/6" Receiver	8"	42"	60"	Removable	136
B-42240-40-4208	8" Steel Bollard w/ Sphere-top 42", Two Reveals, Removable, Sched. 40 w/6" Receiver	8"	42"	60"	Removable	184

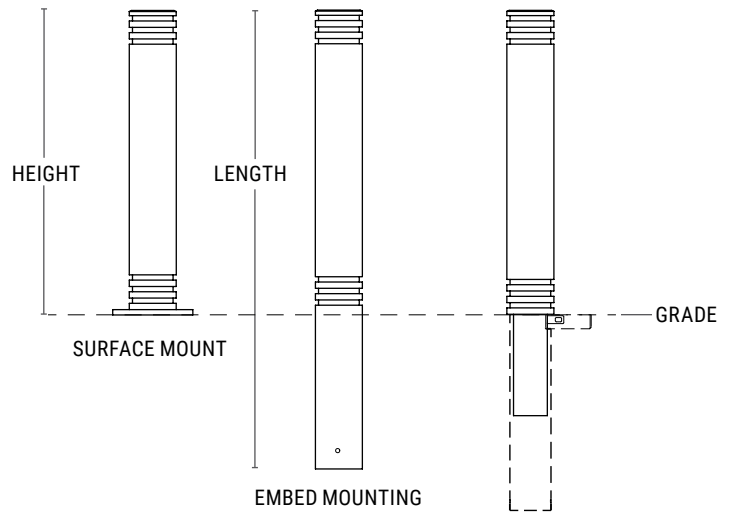


B-4 Bollards, 8" Sphere-top, continued

PRODUCT	DESCRIPTION	SIZE	HEIGHT	LENGTH	MOUNTING	WEIGHT (LBS.)
B-42220-188-4808	8" Steel Bollard w/ Sphere-top 48", Two Reveals, Permanent Embed, .188 Wall	8"	48"	66"	Permanent Embed	119
B-42220-40-4808	8" Steel Bollard w/ Sphere-top 48", Two Reveals, Permanent Embed, Sched. 40	8"	48"	66"	Permanent Embed	173
B-42200-188-4808	8" Steel Bollard w/ Sphere-top 48", Two Reveals, Surface, .188 Wall	8"	48"	48"	Surface	119
B-42200-40-4808	8" Steel Bollard w/ Sphere-top 48", Two Reveals, Surface, Sched. 40	8"	48"	48"	Surface	173
B-42240-188-4808	8" Steel Bollard w/ Sphere-top 48", Two Reveals, Removable, .188 Wall w/6" Receiver	8"	48"	66"	Removable	145
B-42240-40-4808	8" Steel Bollard w/ Sphere-top 48", Two Reveals, Removable, Sched. 40 w/6" Receiver	8"	48"	66"	Removable	199

B-8 Bollards, Square Reveals

- 5.625" Dia. fully welded steel pipe with square reveals at the top, bottom, or both
- Available in schedule 10, 40, or 80 pipe
- Standard heights: 30", 36", 42", or 48"
- Mounting options: surface, removable, or permanent embed
- With optional eye bolts



REMOVABLE MOUNTING

* removable bollard receivers sold separately.

PRODUCT	DESCRIPTION	SIZE	HEIGHT	LENGTH	MOUNTING	WEIGHT (LBS.)
B-8020-10-3006	6" Steel Bollard w/ Squared Reveals, 30", Permanent Embed, Sched. 10	6"	30"	48"	Permanent Embed	67
B-8020-40-3006	6" Steel Bollard w/ Squared Reveals, 30", Permanent Embed, Sched. 40	6"	30"	48"	Permanent Embed	79
B-8020-80-3006	6" Steel Bollard w/ Squared Reveals, 30", Permanent Embed, Sched. 80	6"	30"	48"	Permanent Embed	89
B-8000-10-3006	6" Steel Bollard w/ Squared Reveals, 30", Surface, Sched. 10	6"	30"	30"	Surface	66
B-8000-40-3006	6" Steel Bollard w/ Squared Reveals, 30", Surface, Sched. 40	6"	30"	30"	Surface	77
B-8000-80-3006	6" Steel Bollard w/ Squared Reveals, 30", Surface, Sched. 80	6"	30"	30"	Surface	87
B-8040-10-3006	6" Steel Bollard w/ Squared Reveals, 30", Sched. 10 w/4" Receiver	6"	30"	42"	Removable	86
B-8040-40-3006	6" Steel Bollard w/ Squared Reveals, 30", Sched. 40 w/4" Receiver	6"	30"	42"	Removable	97
B-8040-80-3006	6" Steel Bollard w/ Squared Reveals, 30", Sched. 80 w/4" Receiver	6"	30"	42"	Removable	107
B-8020-10-3606	6" Steel Bollard w/ Squared Reveals, 36", Permanent Embed, Sched. 10	6"	36"	54"	Permanent Embed	71
B-8020-40-3606	6" Steel Bollard w/ Squared Reveals, 36", Permanent Embed, Sched. 40	6"	36"	54"	Permanent Embed	86
B-8020-80-3606	6" Steel Bollard w/ Squared Reveals, 36", Permanent Embed, Sched. 80	6"	36"	54"	Permanent Embed	99
B-8000-10-3606	6" Steel Bollard w/ Squared Reveals, 36", Surface, Sched. 10	6"	36"	36"	Surface	70
B-8000-40-3606	6" Steel Bollard w/ Squared Reveals, 36", Surface, Sched. 40	6"	36"	36"	Surface	85
B-8000-80-3606	6" Steel Bollard w/ Squared Reveals, 36", Surface, Sched. 80	6"	36"	36"	Surface	98
B-8040-10-3606	6" Steel Bollard w/ Squared Reveals, 36", Sched. 10 w/4" Receiver	6"	36"	48"	Removable	90
B-8040-40-3606	6" Steel Bollard w/ Squared Reveals, 36", Sched. 40 w/4" Receiver	6"	36"	48"	Removable	104
B-8040-80-3606	6" Steel Bollard w/ Squared Reveals, 36", Sched. 80 w/4" Receiver	6"	36"	48"	Removable	118

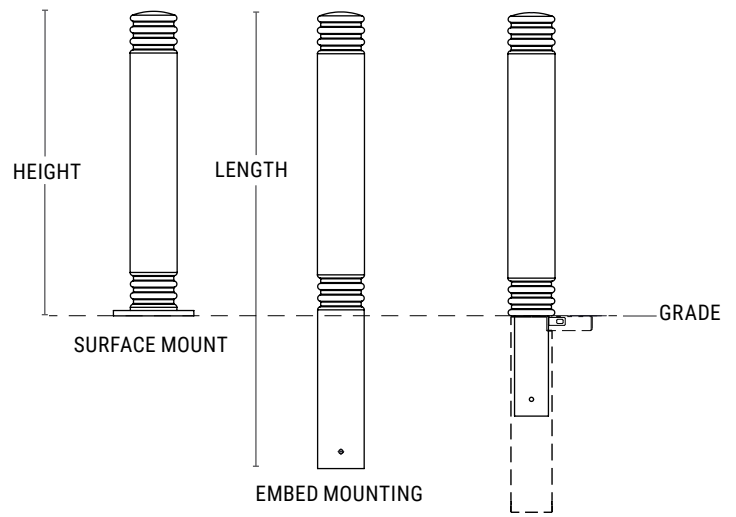


B-8 Bollards, Square Reveals, continued

PRODUCT	DESCRIPTION	SIZE	HEIGHT	LENGTH	MOUNTING	WEIGHT (LBS.)
B-8020-10-4206	6" Steel Bollard w/ Squared Reveals, 42", Permanent Embed, Sched. 10	6"	42"	60"	Permanent Embed	75
B-8020-40-4206	6" Steel Bollard w/ Squared Reveals, 42", Permanent Embed, Sched. 40	6"	42"	60"	Permanent Embed	93
B-8020-80-4206	6" Steel Bollard w/ Squared Reveals, 42", Permanent Embed, Sched. 80	6"	42"	60"	Permanent Embed	110
B-8000-10-4206	6" Steel Bollard w/ Squared Reveals, 42", Surface, Sched. 10	6"	42"	42"	Surface	73
B-8000-40-4206	6" Steel Bollard w/ Squared Reveals, 42", Surface, Sched. 40	6"	42"	42"	Surface	92
B-8000-80-4206	6" Steel Bollard w/ Squared Reveals, 42", Surface, Sched. 80	6"	42"	42"	Surface	108
B-8040-10-4206	6" Steel Bollard w/ Squared Reveals, 42", Sched. 10 w/4" Receiver	6"	42"	54"	Removable	93
B-8040-40-4206	6" Steel Bollard w/ Squared Reveals, 42", Sched. 40 w/4" Receiver	6"	42"	54"	Removable	112
B-8040-80-4206	6" Steel Bollard w/ Squared Reveals, 42", Sched. 80 w/4" Receiver	6"	42"	54"	Removable	128
B-8020-10-4806	6" Steel Bollard w/ Squared Reveals, 48", Permanent Embed, Sched. 10	6"	48"	66"	Permanent Embed	79
B-8020-40-4806	6" Steel Bollard w/ Squared Reveals, 48", Permanent Embed, Sched. 40	6"	48"	66"	Permanent Embed	101
B-8020-80-4806	6" Steel Bollard w/ Squared Reveals, 48", Permanent Embed, Sched. 80	6"	48"	66"	Permanent Embed	120
B-8000-10-4806	6" Steel Bollard w/ Squared Reveals, 48", Surface, Sched. 10	6"	48"	48"	Surface	77
B-8000-40-4806	6" Steel Bollard w/ Squared Reveals, 48", Surface, Sched. 40	6"	48"	48"	Surface	99
B-8000-80-4806	6" Steel Bollard w/ Squared Reveals, 48", Surface, Sched. 80	6"	48"	48"	Surface	119
B-8040-10-4806	6" Steel Bollard w/ Squared Reveals, 48", Sched. 10 w/4" Receiver	6"	48"	60"	Removable	97
B-8040-40-4806	6" Steel Bollard w/ Squared Reveals, 48", Sched. 40 w/4" Receiver	6"	48"	60"	Removable	119
B-8040-80-4806	6" Steel Bollard w/ Squared Reveals, 48", Sched. 80 w/4" Receiver	6"	48"	60"	Removable	139

B-8 Bollards, Round Reveals

- 5.625" Dia. fully welded steel pipe with round reveals at the top, bottom, or both
- Available in schedule 10, 40, or 80 pipe
- Standard heights: 30", 36", 42", or 48"
- Mounting options: surface, removable, or permanent embed
- With optional eye bolts



REMOVABLE MOUNTING

* removable bollard receivers sold separately.

PRODUCT	DESCRIPTION	SIZE	HEIGHT	LENGTH	MOUNTING	WEIGHT (LBS.)
B-8120-10-3006	6" Steel Bollard w/ Rounded Reveals, 30", Permanent Embed, Sched. 10	6"	30"	48"	Permanent Embed	67
B-8120-40-3006	6" Steel Bollard w/ Rounded Reveals, 30", Permanent Embed, Sched. 40	6"	30"	48"	Permanent Embed	79
B-8120-80-3006	6" Steel Bollard w/ Rounded Reveals, 30", Permanent Embed, Sched. 80	6"	30"	48"	Permanent Embed	89
B-8100-10-3006	6" Steel Bollard w/ Rounded Reveals, 30", Surface, Sched. 10	6"	30"	30"	Surface	66
B-8100-40-3006	6" Steel Bollard w/ Rounded Reveals, 30", Surface, Sched. 40	6"	30"	30"	Surface	77
B-8100-80-3006	6" Steel Bollard w/ Rounded Reveals, 30", Surface, Sched. 80	6"	30"	30"	Surface	87
B-8140-10-3006	6" Steel Bollard w/ Rounded Reveals, 30", Sched. 10 w/4" Receiver	6"	30"	42"	Removable	86
B-8140-40-3006	6" Steel Bollard w/ Rounded Reveals, 30", Sched. 40 w/4" Receiver	6"	30"	42"	Removable	97
B-8140-80-3006	6" Steel Bollard w/ Rounded Reveals, 30", Sched. 80 w/4" Receiver	6"	30"	42"	Removable	108
B-8120-10-3606	6" Steel Bollard w/ Rounded Reveals, 36", Permanent Embed, Sched. 10	6"	36"	54"	Permanent Embed	71
B-8120-40-3606	6" Steel Bollard w/ Rounded Reveals, 36", Permanent Embed, Sched. 40	6"	36"	54"	Permanent Embed	86
B-8120-80-3606	6" Steel Bollard w/ Rounded Reveals, 36", Permanent Embed, Sched. 80	6"	36"	54"	Permanent Embed	99
B-8100-10-3606	6" Steel Bollard w/ Rounded Reveals, 36", Surface, Sched. 10	6"	36"	36"	Surface	70
B-8100-40-3606	6" Steel Bollard w/ Rounded Reveals, 36", Surface, Sched. 40	6"	36"	36"	Surface	85
B-8100-80-3606	6" Steel Bollard w/ Rounded Reveals, 36", Surface, Sched. 80	6"	36"	36"	Surface	98
B-8140-10-3606	6" Steel Bollard w/ Rounded Reveals, 36", Sched. 10 w/4" Receiver	6"	36"	48"	Removable	90
B-8140-40-3606	6" Steel Bollard w/ Rounded Reveals, 36", Sched. 40 w/4" Receiver	6"	36"	48"	Removable	105
B-8140-80-3606	6" Steel Bollard w/ Rounded Reveals, 36", Sched. 80 w/4" Receiver	6"	36"	48"	Removable	118

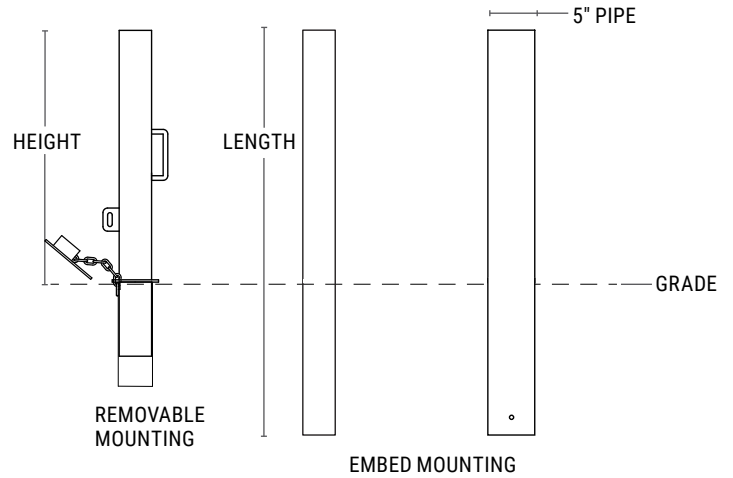


B-8 Bollards, Round Reveals, continued

PRODUCT	DESCRIPTION	SIZE	HEIGHT	LENGTH	MOUNTING	WEIGHT (LBS.)
B-8120-10-4206	6" Steel Bollard w/ Rounded Reveals, 42", Permanent Embed, Sched. 10	6"	42"	60"	Permanent Embed	75
B-8120-40-4206	6" Steel Bollard w/ Rounded Reveals, 42", Permanent Embed, Sched. 40	6"	42"	60"	Permanent Embed	93
B-8120-80-4206	6" Steel Bollard w/ Rounded Reveals, 42", Permanent Embed, Sched. 80	6"	42"	60"	Permanent Embed	110
B-8100-10-4206	6" Steel Bollard w/ Rounded Reveals, 42", Surface, Sched. 10	6"	42"	42"	Surface	73
B-8100-40-4206	6" Steel Bollard w/ Rounded Reveals, 42", Surface, Sched. 40	6"	42"	42"	Surface	92
B-8100-80-4206	6" Steel Bollard w/ Rounded Reveals, 42", Surface, Sched. 80	6"	42"	42"	Surface	108
B-8140-10-4206	6" Steel Bollard w/ Rounded Reveals, 42", Sched. 10 w/4" Receiver	6"	42"	54"	Removable	93
B-8140-40-4206	6" Steel Bollard w/ Rounded Reveals, 42", Sched. 40 w/4" Receiver	6"	42"	54"	Removable	112
B-8140-80-4206	6" Steel Bollard w/ Rounded Reveals, 42", Sched. 80 w/4" Receiver	6"	42"	54"	Removable	128
B-8120-10-4806	6" Steel Bollard w/ Rounded Reveals, 48", Permanent Embed, Sched. 10	6"	48"	66"	Permanent Embed	79
B-8120-40-4806	6" Steel Bollard w/ Rounded Reveals, 48", Permanent Embed, Sched. 40	6"	48"	66"	Permanent Embed	101
B-8120-80-4806	6" Steel Bollard w/ Rounded Reveals, 48", Permanent Embed, Sched. 80	6"	48"	66"	Permanent Embed	120
B-8100-10-4806	6" Steel Bollard w/ Rounded Reveals, 48", Surface, Sched. 10	6"	48"	48"	Surface	77
B-8100-40-4806	6" Steel Bollard w/ Rounded Reveals, 48", Surface, Sched. 40	6"	48"	48"	Surface	99
B-8100-80-4806	6" Steel Bollard w/ Rounded Reveals, 48", Surface, Sched. 80	6"	48"	48"	Surface	119
B-8140-10-4806	6" Steel Bollard w/ Rounded Reveals, 48", Sched. 10 w/4" Receiver	6"	48"	60"	Removable	97
B-8140-40-4806	6" Steel Bollard w/ Rounded Reveals, 48", Sched. 40 w/4" Receiver	6"	48"	60"	Removable	119
B-8140-80-4806	6" Steel Bollard w/ Rounded Reveals, 48", Sched. 80 w/4" Receiver	6"	48"	60"	Removable	139

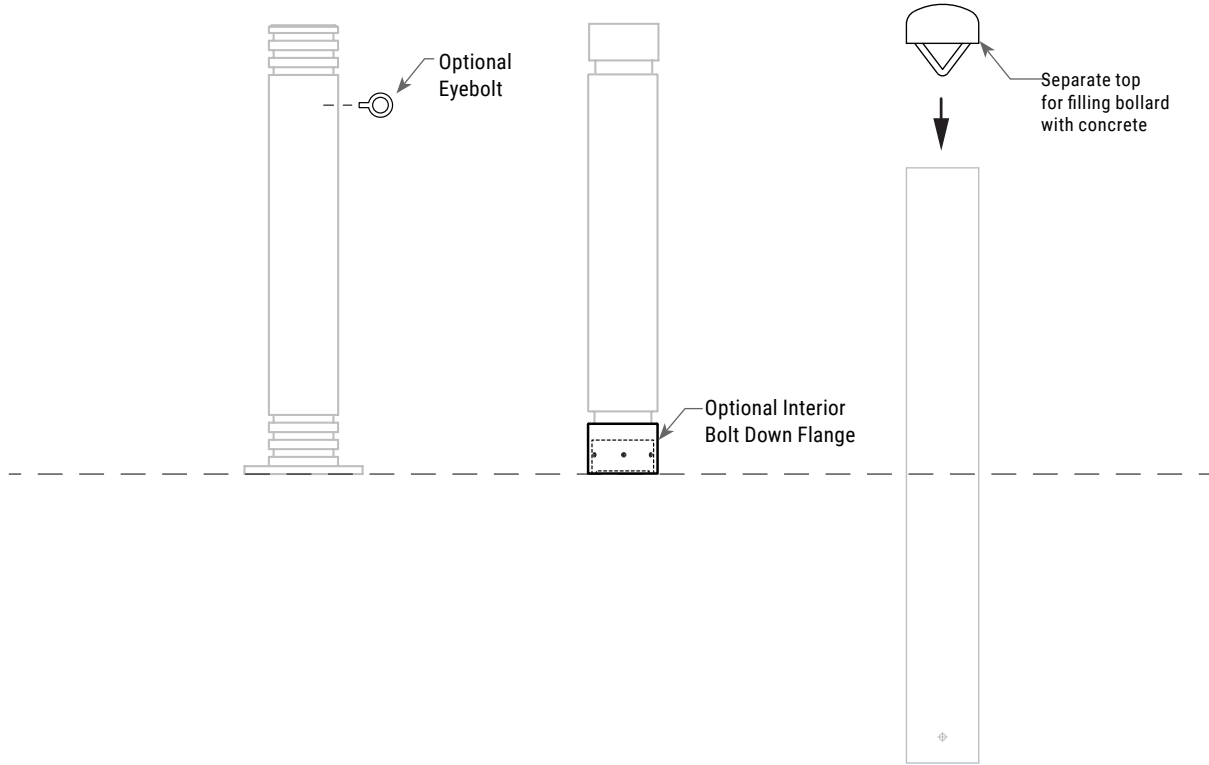
Simple Pedestrian Bollards

- 3" or 5" fully welded, hot-dipped galvanized steel pipe
- 30" H, schedule 40
- 5-inch available with powder-coated finish
- Mounting styles: permanent embed (3" or 5") or removable (3" with handle)
- Optional eyebolts and padlock available



PRODUCT	DESCRIPTION	SIZE	HEIGHT	LENGTH	MOUNTING	WEIGHT (LBS.)
B-1340-40-3003G	Pedestrian Bollard, 30" Galvanized, 3", Sched. 40 w/Handle (includes receiver and chain) (SPR-R)	3"	30"	38"	Removable	53
B-1320-40-3003G	Pedestrian Bollard, 30" Galvanized, 3", Sched. 40 (no handle and eyebolt) (SPR-E)	3"	30"	48"	Permanent Embed	41
B-1320-40-3005G	Vehicle Bollard, 30" Galvanized, 5", Sched. 40 (no handle and eyebolt) (SPR-V)	6"	30"	48"	Permanent Embed	67
B-1320-40-3005	Vehicle Bollard, 30" Powder-coated, 5", Sched. 40 (no handle and eyebolt) (SPR-V)	6"	30"	48"	Permanent Embed	67

Bollard Options and Accessories



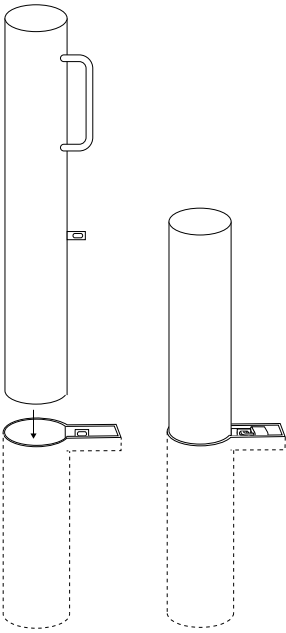
Bollard Options and Accessories, continued

PART. NO.	DESCRIPTION	B-1			B-2			B-3	B-4		B-8	PEDESTRIAN		WEIGHT (LBS.)
		4"	6"	8"	4"	6"	8"	6"	6"	8"	6"	3"	5"	
B-HGT4	Custom bollard height, 4" mild steel bollards	X			X									-
B-HGT6	Custom bollard height, 6" mild steel bollards		X			X		X	X		X			-
B-HGT8	Custom bollard height, 8" mild steel bollards			X			X			X				-
B-EXT4	Custom bollard embed depth, 4" mild steel bollards	X			X									-
B-EXT6	Custom bollard embed depth, 6" mild steel bollards		X			X		X	X		X			-
B-EXT8	Custom bollard embed depth, 8" mild steel bollards			X			X			X				-
B-RRC4	Removal of collar, 4" B-1 bollard	X												0
B-RRC6	Removal of collar, 6" B-1 bollard		X											0
B-RRC8	Removal of collar, 8" B-1 bollard			X										0
B-TOP	Separate top for filling bollard with concrete	X	X	X	X	X	X	X	X	X	X			-
B-EB	Eyebolt (each)	X	X	X	X	X	X	X	X	X	X		X	1
B-IF	Interior Flange		X	X		X	X	X	X	X	X			0
B-RLWC	Retrofit Lockwell cover (Specify size of receiver)	X	X	X	X	X	X	X	X	X	X			1
B-ARC6	Additional collar, 6" B-1 bollard		X											0
B-ARC8	Additional collar, 8" B-1 bollard			X										0
B-REV6	Additional Reveal for 6" B-4 bollards, per reveal								X					0
B-REV8	Additional Reveal for 8" B-4 bollards, per reveal									X				0
B-MIN	Powder-coating charge for fewer than 5 bollards	X	X	X	X	X	X	X	X	X	X			0
B-TAPE	Hi-Intensity Tape on bollard (see application sheet) not available for galvanized finish	X	X	X	X	X	X	X	X	X	X			-

Bollard Receivers & Accessories

RECEIVERS

Receivers are fabricated from hot-dip galvanized steel. Shown below with optional handle.



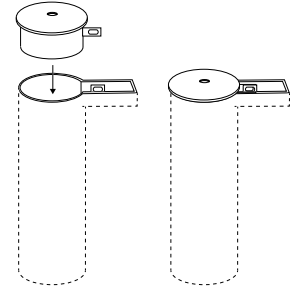
Standard receiver



Standard receiver installed

RECEIVER COVERS

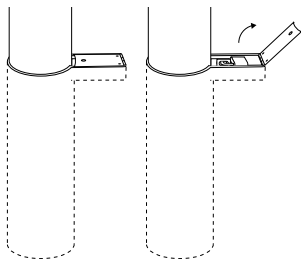
Removable receiver covers are fabricated from hot-dip galvanized steel and can be put in place when bollards are removed.



Receiver cover

LOCKWELLS & ACCESSORIES

Standard receivers include a 3" x 5" lockwell.



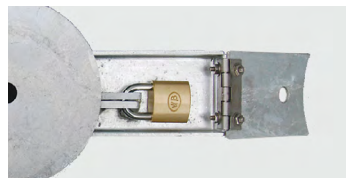
3" x 5" Lockwell without cover



Lockwell with optional cover



Optional padlock



Lockwell interior with lock

BOLLARD STOPS

Galvanized steel stops on B-2 bollards only, allows for exact height and lock tab alignment.



B-2 Bollard stops on receiver

Receiver must be installed in drainage rock. Improper installation will void the warranty.

Removable Bollard Options & Accessories

PART. NO.	DESCRIPTION	B-1			B-2			B-3	B-4			B-8	PEDESTRIAN		WEIGHT (LBS.)
		4"	6"	8"	4"	6"	8"	6"	6"	8"	6"	3"	5"		
B-LWC	Lockwell Cover for removable bollard	X	X	X	X	X	X	X	X	X	X				1
B-PD	Brass Padlock for removable bollard	X	X	X	X	X	X	X	X	X	X	X			1
B-RCC4	4" Receiver Cover for removable bollard	X			X					X		X			4
B-RCC6	6" Receiver Cover for removable bollard		X			X		X	X		X				5
B-RCC8	8" Receiver Cover for removable bollard			X			X			X					6
B-REC4	4" Receiver for removable bollard	X			X				X		X				22
B-REC6	6" Receiver for removable bollard		X			X		X		X					27
B-REC8	8" Receiver for removable bollard			X			X								29
B-RLWC	Retrofit Lockwell cover (Specify size of receiver)	X	X	X	X	X	X	X	X	X	X				1
B-HD	Welded 5" handle for bollards (each)	X	X	X	X	X	X	X	X	X	X		X		5