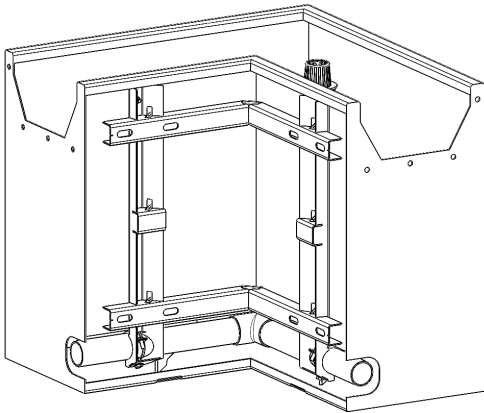
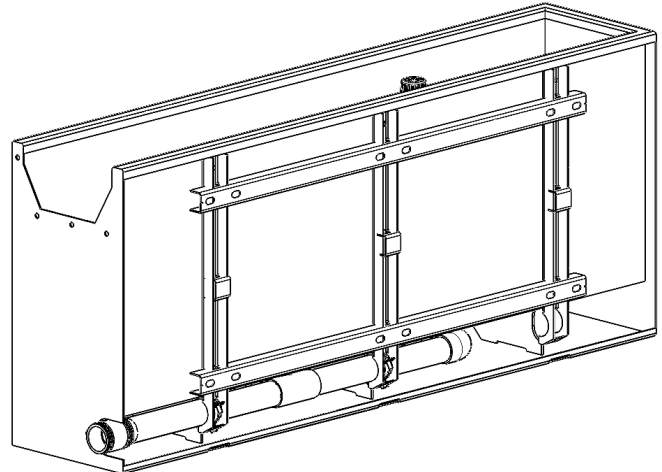


ALOFT FAÇADE PLANTERS Installation Instructions



AFC-LLWWHH (CORNER PLANTER)



AFR-LLWWHH (RECTANGLE PLANTER)

INCLUDED

Planter	1 pc.
Safety Bolts, 3/8"	as required
Mounting Frame	1 pc.
Drainage Assembly	1 pcs.

NEEDED FOR INSTALLATION *Not included*

Masonry bits, hammer drill
Non-corrosive anchors, hardware with washers
Slotted screwdriver
5/8" socket wrench, box end wrench
Optional: Sealant for scoop connection, if equipped

Carefully remove the packaging materials and inspect the units for any damage that may have occurred during shipping. If damage has occurred, immediately report this to the shipping carrier at the time of delivery.

NOTE: Install Corner Planter first if applicable. If there is no corner unit, proceed to "Aloft Rectangle Planter Installation" Step 8.

Aloft Corner Planter Installation:

STEP 1

Inspect and prepare for installation:

Remove Drain Riser, Drain Coupler (unscrew CCW from top)/Gaskets (Fig.1). Secure Frame/Drain assembly and Remove Safety Bolts. Lower Frame (about ½”) and carefully remove from planter (Fig. 2). Remove Drain Mounting Bolts from Frame. DO NOT LOOSEN OR REMOVE MOUNTING CLAMP HANGERS FROM PVC PIPE ASSEMBLY (Fig. 2)

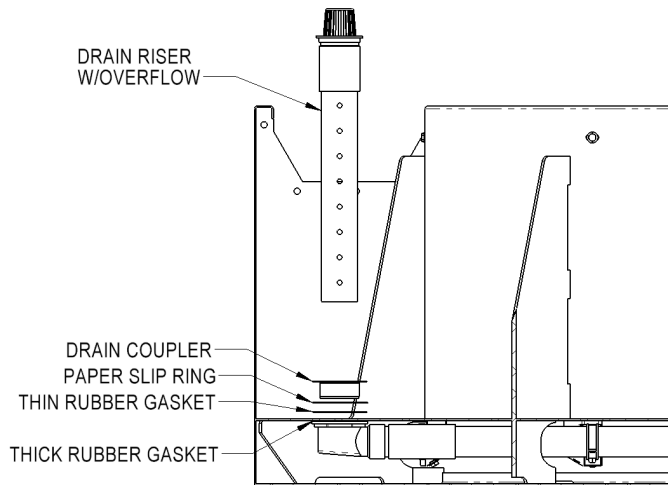


Fig.1

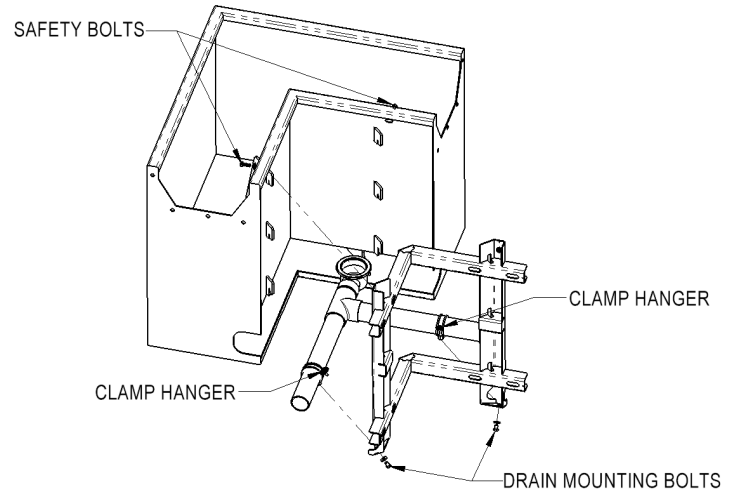


Fig. 2

STEP 2

Prepare wall to mount Frame:

Locate and drill anchor bolt holes. (Fig. 3) Install anchors per anchor manufacturer's instructions.

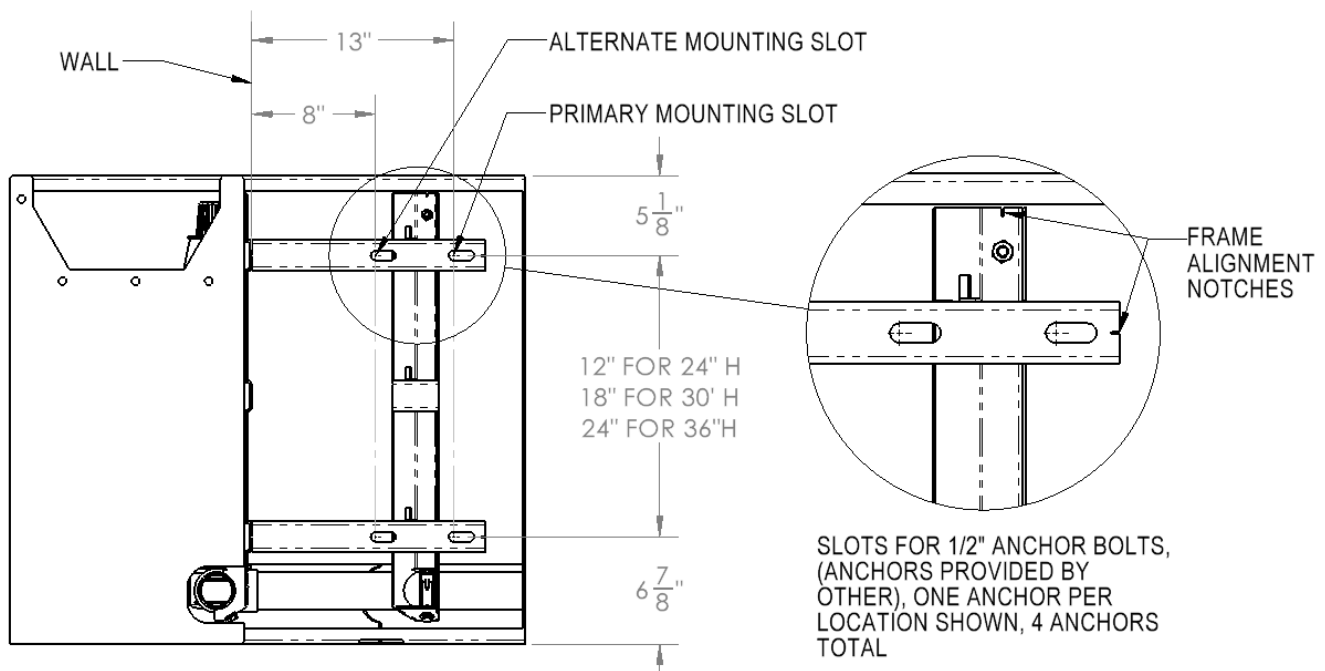


Fig. 3

ALOFT FAÇADE PLANTERS

Installation Instructions

STEP 3

Install Frame on wall:

Place Frame on wall over anchors. Ensure Frame is plum & level on both sides, add shims between frame & wall as necessary. Secure with anchor hardware.

STEP 4

Install Drain Assembly on Frame:

Reattach with hardware provided.

STEP 5

Prepare/install adjacent Frames:

Refer to shop drawings for details on bolt hole locations. For adjacent planters (Fig. 3), add “GUSSET TO SIDE” dimensions of the two planters (these dimensions vary on planter length and number of gussets. Measure planters or see shop drawings) and using the “FRAME ALIGNMENT NOTCHES”, space the frames accordingly. Reattach Drainage/Plumbing to frame with hardware provided before installing planter.

STEP 6

Install Planter:

Insure “Thick Rubber Gasket” (Fig. 4) on Drain. Lift the Planter into position (about ½” above final height) with clearance for the Drain plumbing and carefully slide to engage planter cleats to frame. Lower planter to fully engage cleats. Install Safety Bolts provided.



Fig. 4

STEP 7

Again, insure “Thick Rubber Gasket” (Fig. 8) is on Drain. Carefully install Drain Coupler, Slip Ring, Thin Gasket (easily cross threaded, screw CW from top), and Drain Riser.

Aloft Rectangle Planter Installation:

STEP 8

Inspect and prepare for installation:

Remove Drain Riser, Drain Coupler (unscrew CCW from top)/Gaskets (Fig. 4). Secure Frame/Drain assembly and Remove Safety Bolts. Lower Frame (about 1/2") and carefully remove from planter (Fig. 5). Remove Drain Mounting Bolts from Frame. DO NOT LOOSEN OR REMOVE MOUNTING CLAMP HANGERS FROM THE PVC PIPE ASSEMBLY(Fig. 6)

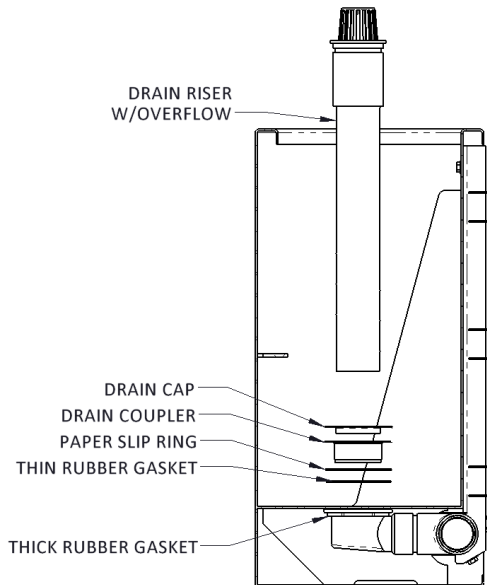


Fig. 4

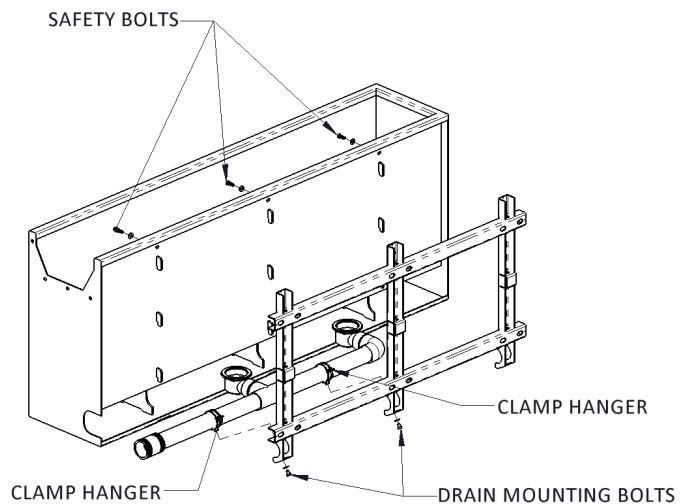


Fig. 5

STEP 9

Prepare wall to mount Frame:

Locate and drill anchor holes. Refer to shop drawings for details on bolt hole locations. Hole locations can be derived by using the dimensions in (Fig. 6). Install anchors per manufacturer's instructions.

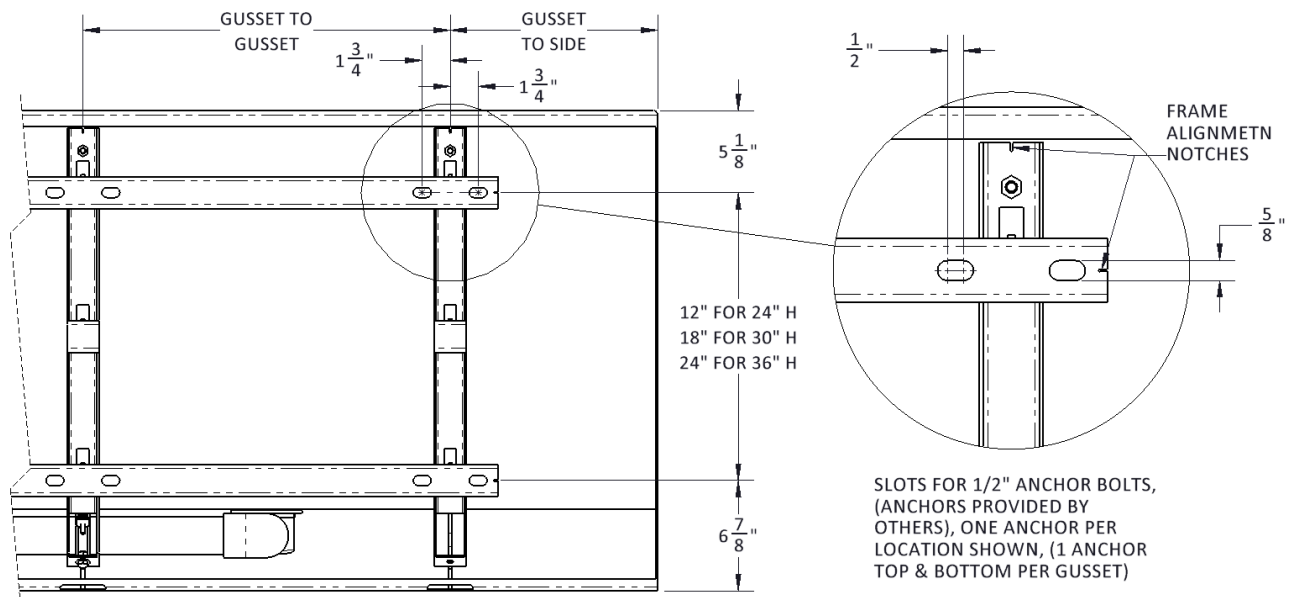


Fig. 6

ALOFT FAÇADE PLANTERS

Installation Instructions



STEP 10

Install Frame on wall:

Place Frame on wall over anchor bolts. Ensure Frame is plum & level, add shims between frame & wall as necessary. Secure with anchor hardware.

STEP 11

Install Drain Assembly on Frame:

Reattach with hardware provided.

STEP 12

Prepare/install adjacent Frames:

Refer to shop drawings for details on bolt hole locations. For adjacent planters add "GUSSET TO SIDE" dimensions (Fig. 6), of the two planters (these dimensions vary upon planter length and number of gussets, measure planters or see shop drawings) and using the "FRAME ALIGNMENT NOTCHES", space the frames accordingly. Reattach Drainage/Plumbing to frame with hardware provided before installing planter.

STEP 13

Install Planter:

Insure "Thick Rubber Gasket" (Fig. 7) is on all Drains. Lift the Planter into position (about ½" above final height) with clearance for the Drain plumbing and carefully slide to engage planter cleats to frame. Lower planter to fully engage cleats. Install Safety Bolts provided.



Fig. 7

STEP 14

Check "Thick Rubber Gasket" (Fig. 7) is in place on Drain. Carefully install Drain Coupler, Slip Ring, Thin Gasket (easily cross threaded, screw CW from top), and Drain Riser.

END OF INSTRUCTIONS

You can find information about caring for Tournesol products and materials by visiting:
<https://tournesol.com/asset/64a79c5f5c2eb/Care%20Maintenance%20Warranty.pdf>